

Replaceable Deck Sill



8817 West Market Street
Colfax, NC 27235 | 800.334.2006
www.enduraproducts.com

Field Replacement Instructions

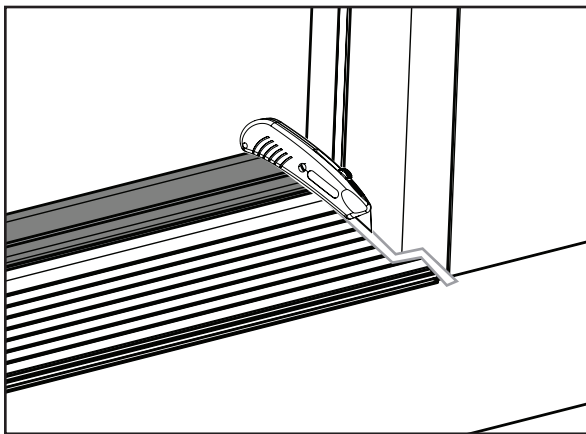
Tools/Materials Required:

- Flexible Putty Knife
- Stiff Scraper
- Vise Grips
- Chop or Miter Saw
- Measuring Tape
- Wooden Block
- Hammer
- Razor Knife

Notes:

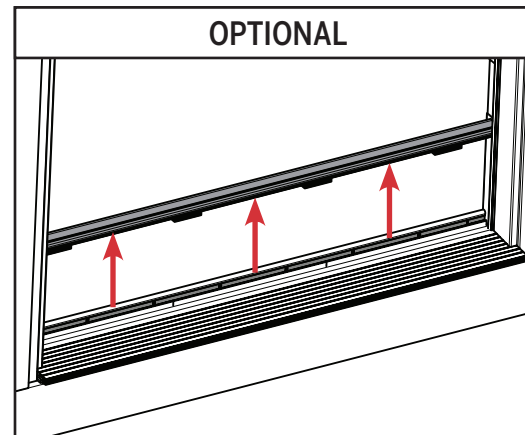
- Prop the door open while replacing the deck.

STEP 1: PREPARE THE SILL



a. Use a putty knife or razor blade to remove the caulk seal along the jamb and mull if applicable. Use a flexible putty knife under the tenon to further break

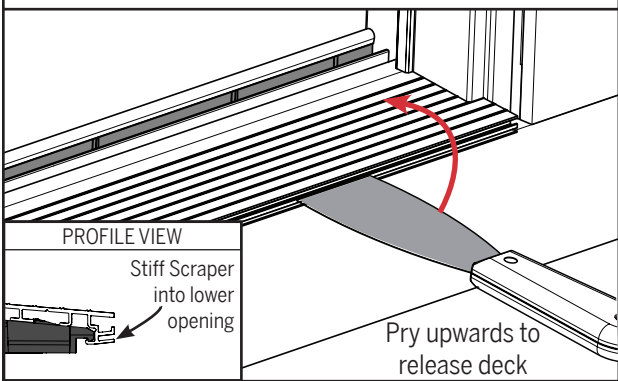
NOTE: If a mull gasket was used, skip this step.



b. Remove the cap from the sill.

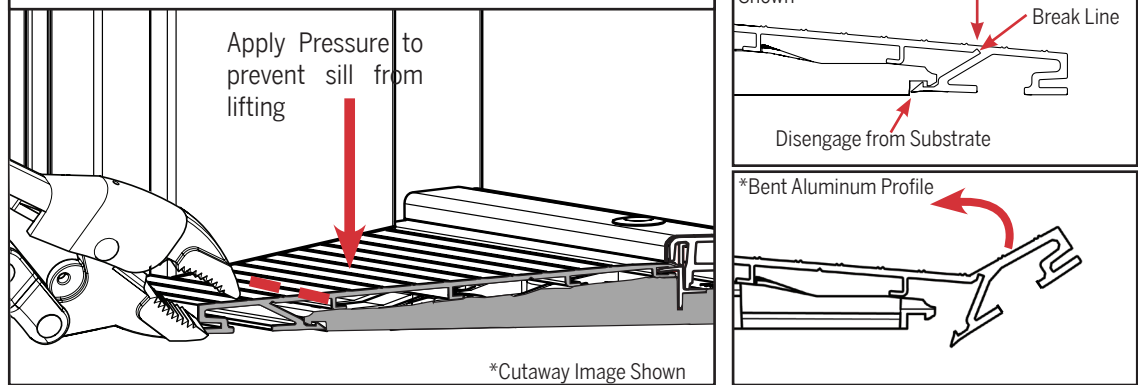
STEP 2A (FOR ALUMINUM DECKS): REMOVE THE DECK FROM SILL

FOR 4-9/16", 5-5/8" AND 6-9/16" SILL DECKS



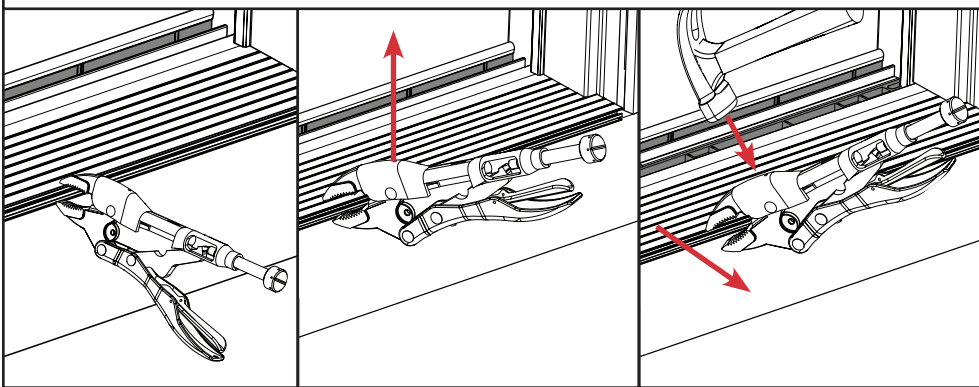
a. Use a stiff scraper to disengage the deck from the sill, starting at one end and moving along the length of the deck.

FOR 7-5/8" SILL DECKS

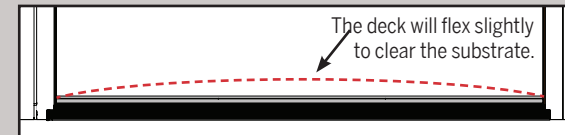


b. Clamp vise grips onto the sill deck 3"-6" from jamb, so the front of the vise grips are positioned just before the break line shown above. Bend the aluminum upwards to disengage it from the substrate. Apply pressure on the deck while bending upwards to prevent the sill from lifting and force the aluminum to bend. Repeat on the opposite end and along the length as needed.

FOR ALL SILL DECKS

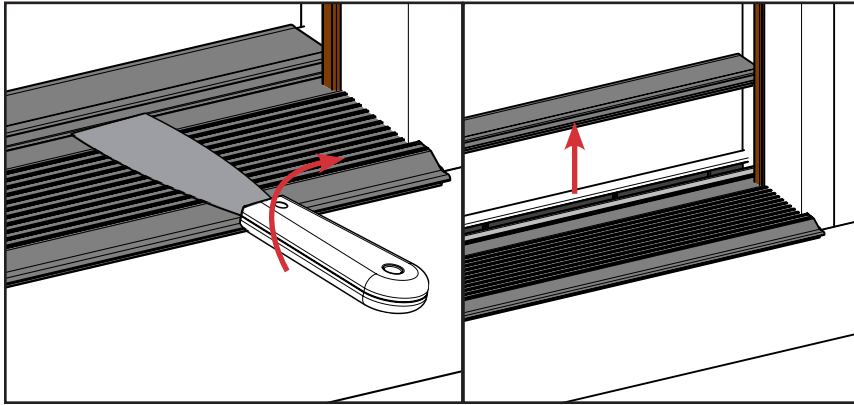


c. Once the aluminum deck is disengaged from the substrate, clamp vise grips onto the sill deck and lock them into place. While pulling the vise grips up and out, use a hammer to hit the vise grips away from the substrate. Repeat this along the length of the substrate. Set the removed deck aside to use as a template.

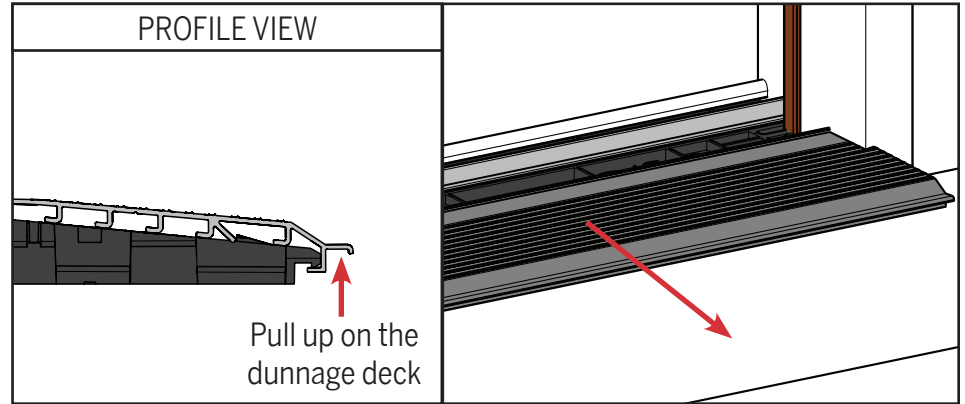


*Note: The deck needs to be lifted upwards in the center to release it from the substrate.

STEP 2B (FOR DUNNAGE SYSTEMS): REMOVE THE CAP AND DECK FROM SILL



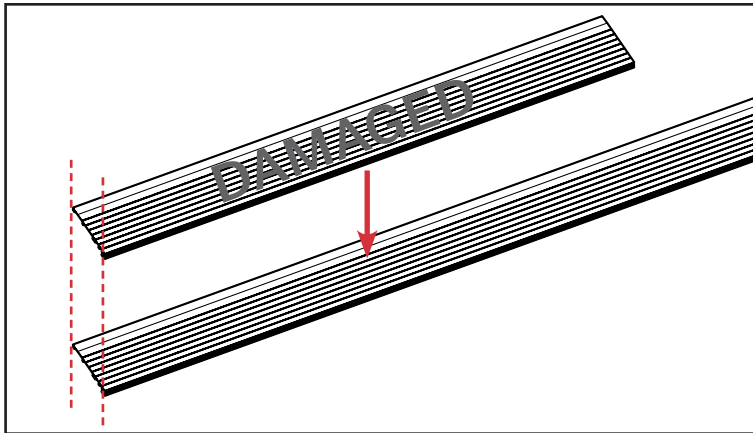
a. Rotate a stiff scraper under the dunnage cap to remove.



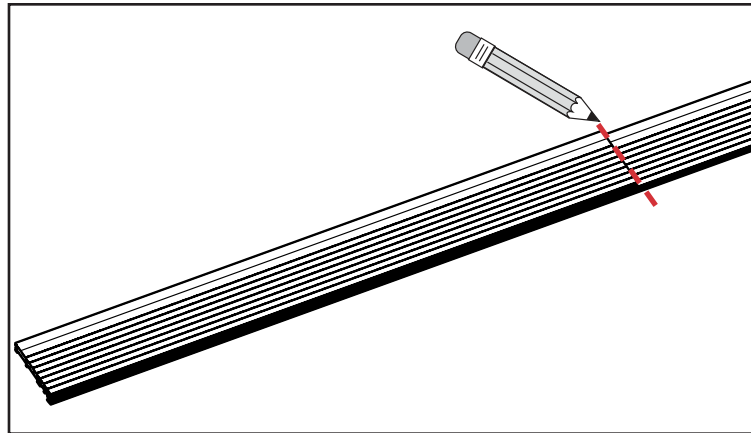
b. Once the dunnage cap is removed, pull up and out on the dunnage deck to remove.

STEP 3: CUT THE NEW ALUMINUM DECK

NOTE: Skip this step if the aluminum deck is already sized for the mull and sill.



a. Align the removed deck onto the new deck to measure the correct length. If the deck is notched for a sidelite/hinged patio, use the notches to align the old and new decks.



b. Mark the length of the old deck on the new deck. Use a chop or miter saw to cut down the new sill deck along that line.

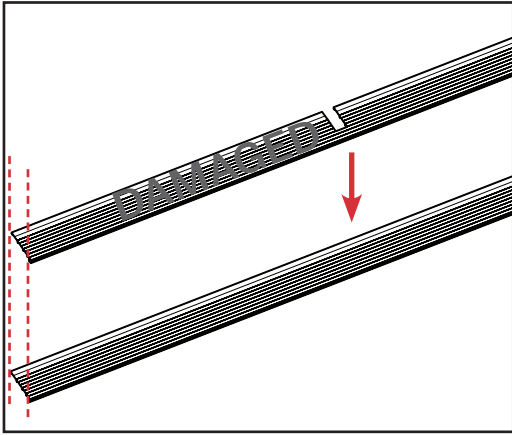


Measure and cut carefully - the new sill should be even with or no more than 1/32" shorter than the old sill deck.

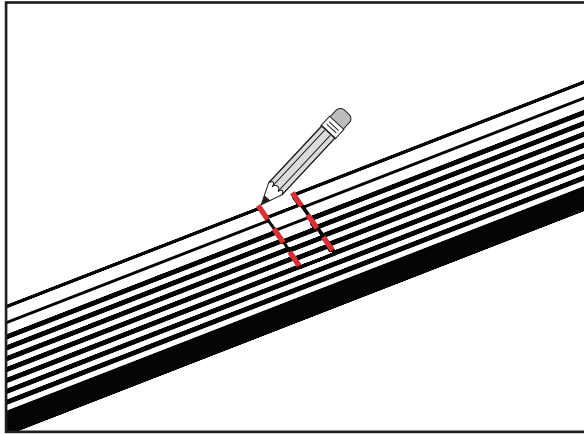
If the old sill deck is damaged and **cannot** be used as a template, measure between the inside rabbet of the jambs and mark that measurement on the new sill deck.

STEP 3: CUT THE NEW ALUMINUM DECK

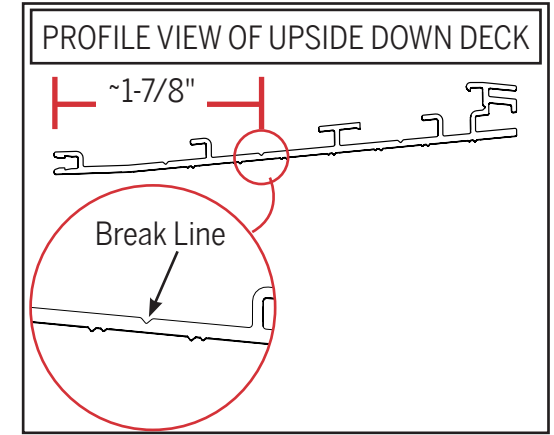
IF THE ALUMINUM IS NOT NOTCHED FOR A SIDELITE OR HINGED PATIO UNIT:



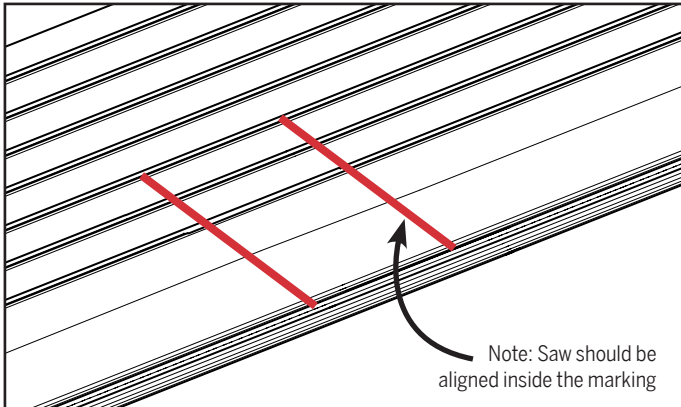
c. Once the new deck has been sized, align the new and old deck to mark the notch locations. Ensure both ends of the sill decks are aligned in order to mark the correct location.



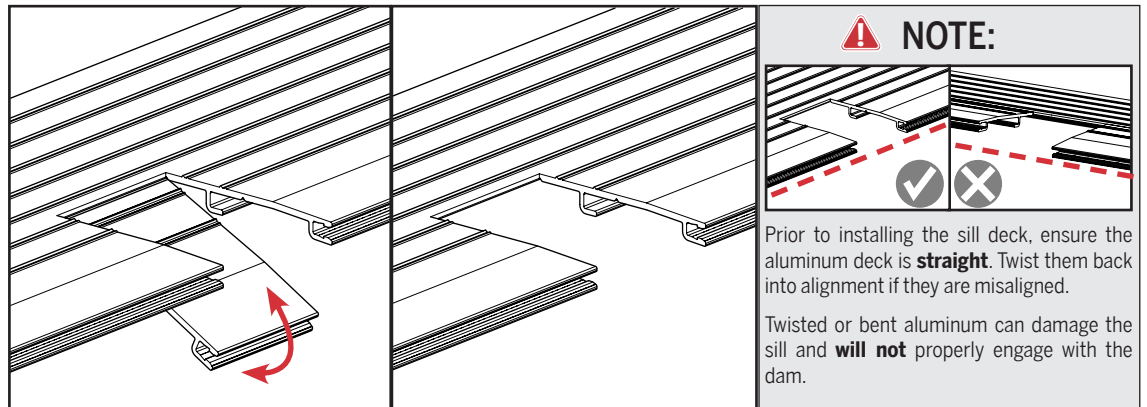
d. Using the old deck as a template, mark the notch location on the new deck.



e. Identify the break line on the back of the sill deck.

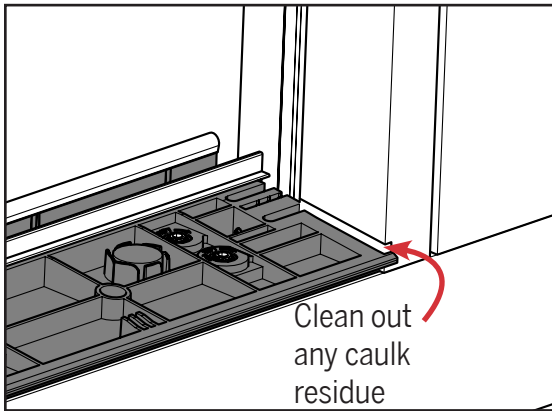


f. Once the marks are made, align the chop saw to the inside of markings on the sill and cut from the front of the sill deck to the break line in the sill.

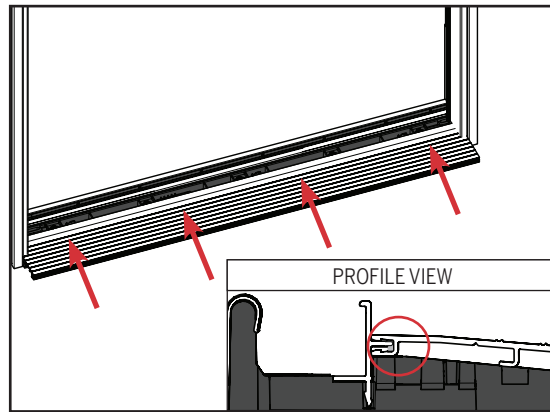


g. Once the two cuts are made, bend piece with hand along the break line to detach the cut piece of aluminum.

STEP 4: INSTALL THE NEW ALUMINUM DECK

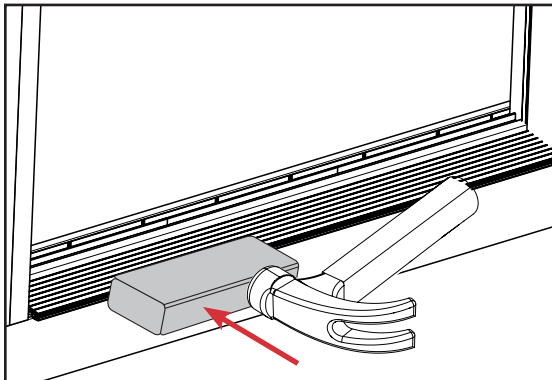


a. Clean out the tenon/jamb for any caulk residue.

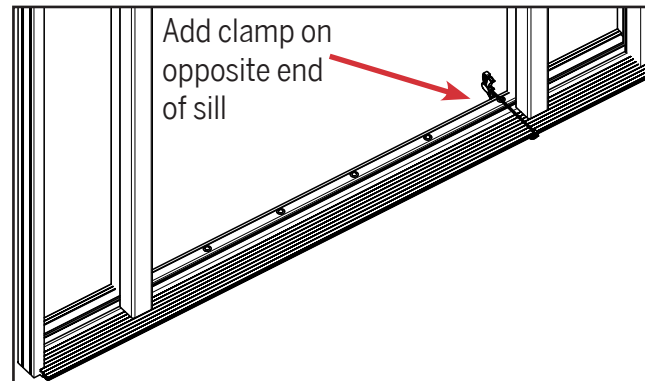


b. Slide the **new** aluminum deck evenly, as far as possible, onto the substrate.

NOTE: The sill deck will mate with the aluminum dam in the substrate. Slide the sill deck evenly to avoid damaging the deck or dam.



c. Use a wooden block and hammer to connect the new sill deck to the substrate on one side of the sill.



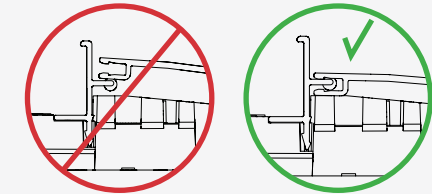
d. To ensure the aluminum deck stays in connected, install a clamp on the opposite end of the sill that was just connected. The clamp should be placed from the exterior of the deck to the interior of the sill system.

For Single CSLs and Hinged Patio Sills: Clamp on the side of the sill opposite of the mull.

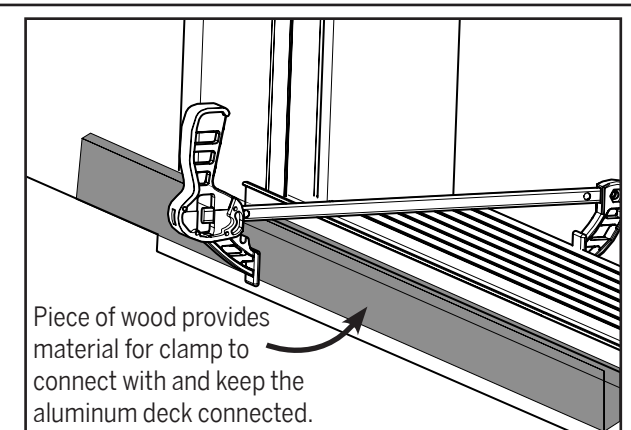
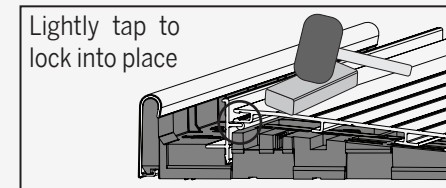
For Double CSLs: Clamp as close to the mull as possible, as shown above.

WITH LONGER SILL LENGTHS OR WIDER SILL DECKS:

Ensure the aluminum deck mates properly with the aluminum dam.



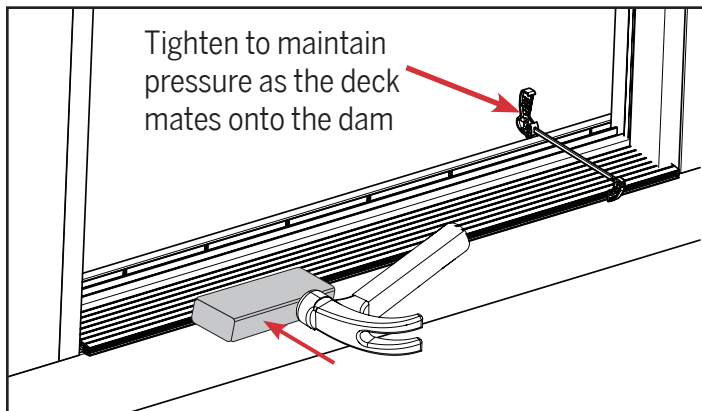
If it does not lay flat, you may need to lightly tap the top of the deck to properly lock the deck into place. Protect the sill deck by using a wood block and rubber mallet.



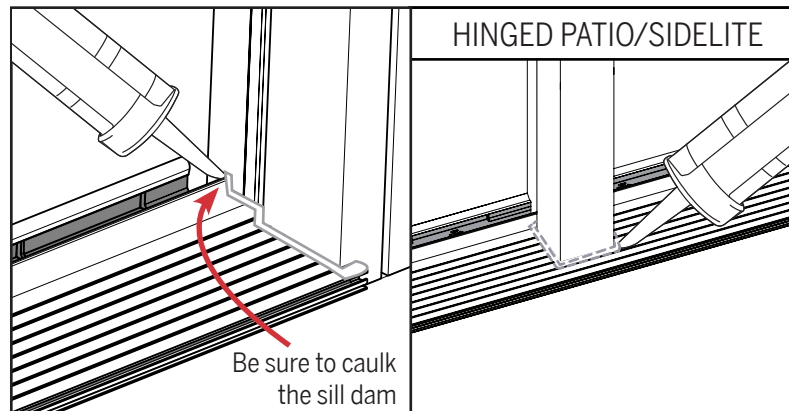
If flooring is installed and you cannot clamp behind the nosing: Position a piece of wood on the interior of the sill and attach the clamp to the back of the wood. This will provide a solid surface to use the clamp.

STEP 4 (CONT.): INSTALL THE NEW ALUMINUM DECK

NOTE: If the sidelite seat seal gets stuck under the aluminum, use a putty knife to lift it above the deck.



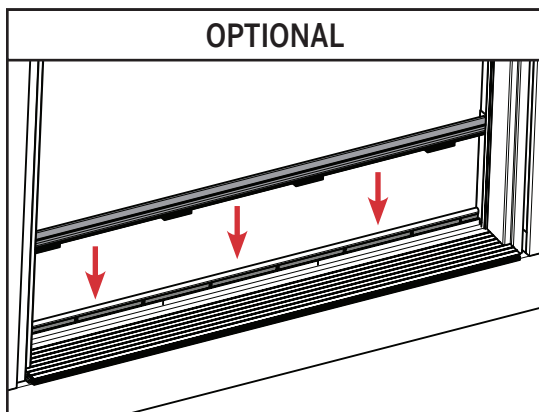
e. Returning to the initially connected side, use the block and hammer to connect the new sill deck to the substrate, moving evenly down the sill deck towards the clamp. Tighten the clamp as needed to maintain pressure and ensure the deck mates properly with the dam.



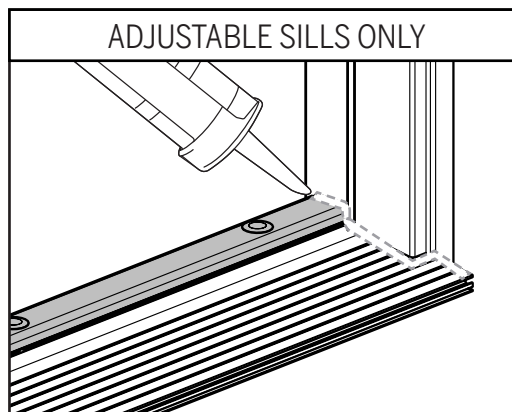
f. Apply an even bead of caulk around the jambs, including the dam. In a hinged patio or sidelite application, caulk the joint between the deck and mull.

⚠ For **Z-AC sills**, caulking is only required on the mull in a hinged patio or sidelite application between the deck and the mull.

STEP 5: COMPLETE THE REPLACEMENT



a. Reinstall the sill cap.



b. Adjust the cap to the appropriate height and caulk over the joint between the cap and jamb.

⚠ For **Z-AC sills**, only caulk the deck portion of the sill - not the cap.