

# PanoLock+™ Multi-Point Lock Instructions

## Frame Machining - Strike Plate



8817 West Market Street  
Colfax, NC 27235 | 800.334.2006  
www.enduraproducts.com

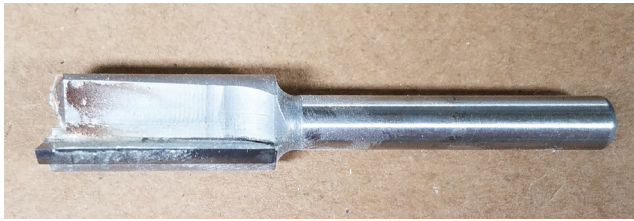
**⚠ WARNING** – Make sure router is unplugged when adjusting bit depth.

**⚠ WARNING** – Use proper personal protective equipment when operating a router.

Machining details are found in Endura print # 16031-300.

### STEP 1

Required tooling includes:

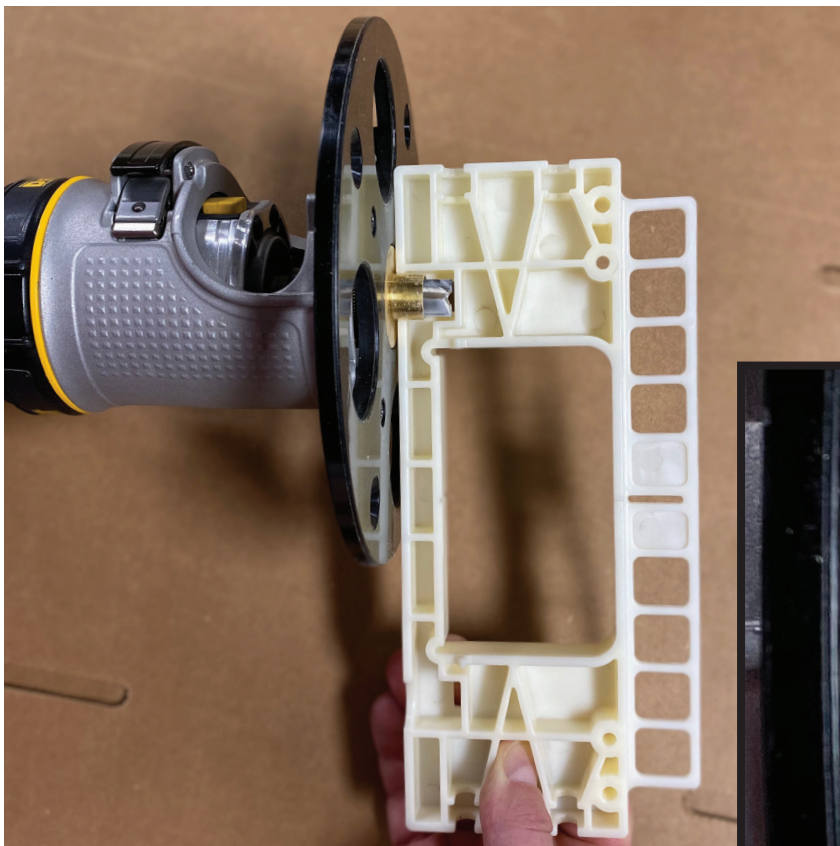


A 1/2" OD x 2" Router Bit

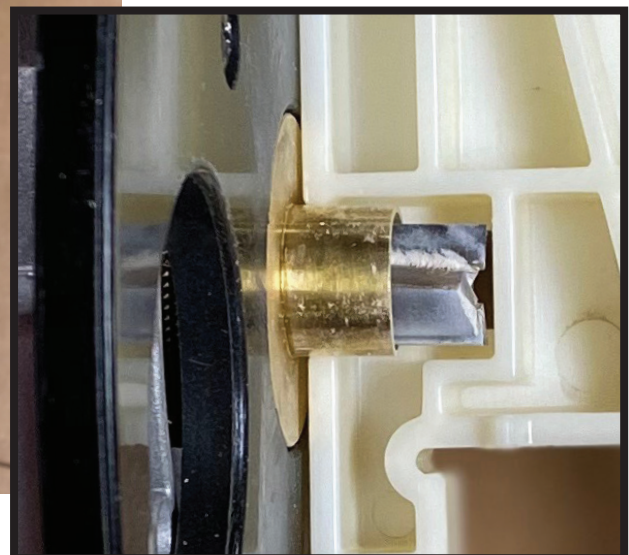


A 5/8" OD Router Guide Collar

### STEP 2



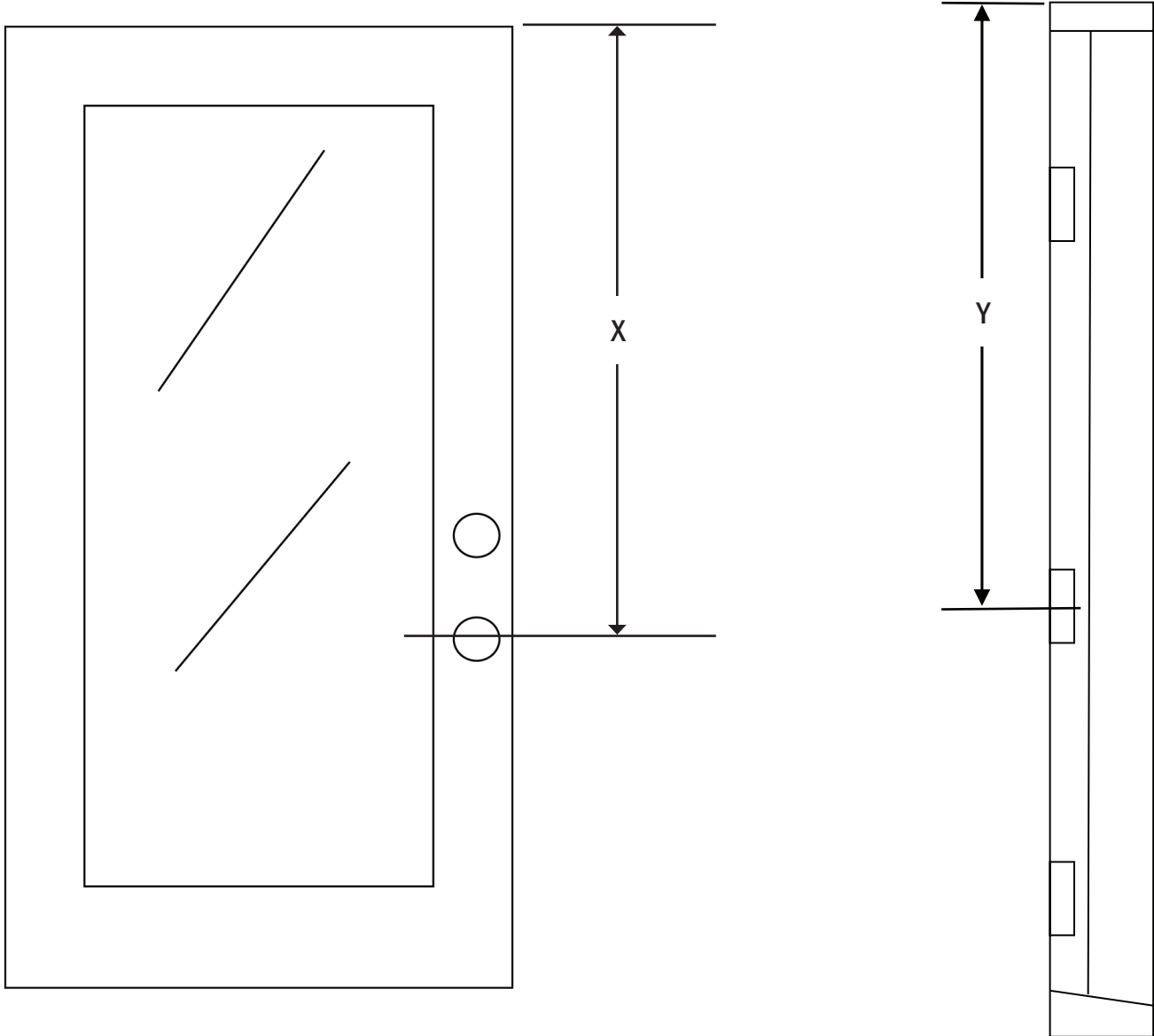
Install the 5/8" OD Router Guide Collar on your router. It will be used for all steps in the jamb fabrication.



First pocket machining. Set the router bit depth to 25/32" using the guide on the back of the template BASE.

## STEP 3

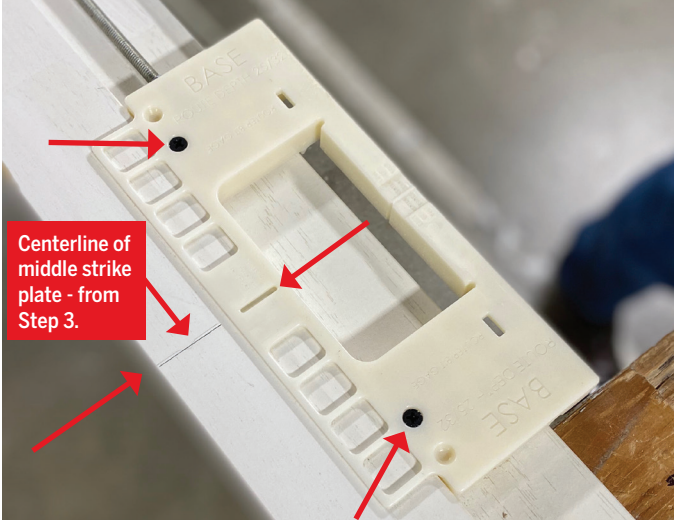
Determine location of middle strike plate.



1. Measure from top of door panel to latch bore. This is measurement "X".
2. If using a standard 3/4" head jamb, take measurement "X" and subtract 2-5/8". This is measurement "Y".
3. From the top of the jamb, measure down "Y" to locate the center of the middle strike plate.

See last page of instruction for spacing between centerlines of each strike plate.

## STEP 4



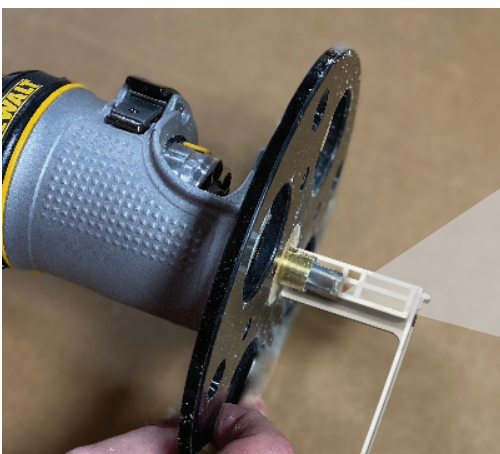
Locate the template base on the frame as shown. Align the center of the template with the centerline location of the strike plate assembly. Attach the template to the frame with screws, at two locations shown.

## STEP 5



Turn router on. Rotate bit into center of template pocket to prevent damaging edge of template. Remove all material within template pocket. Remove all dust and debris from frame.

## STEP 6



Second pocket machining. Reset the router bit depth to 1-1/16" using the guide on the back of template INSERT A.

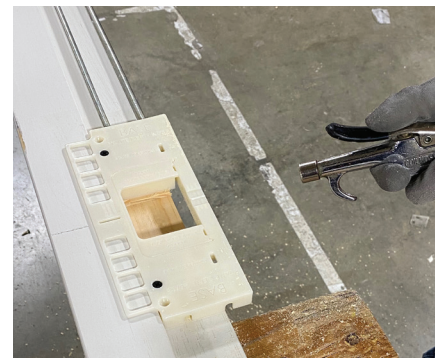


## STEP 7



Place INSERT A into template BASE as shown.

## STEP 8



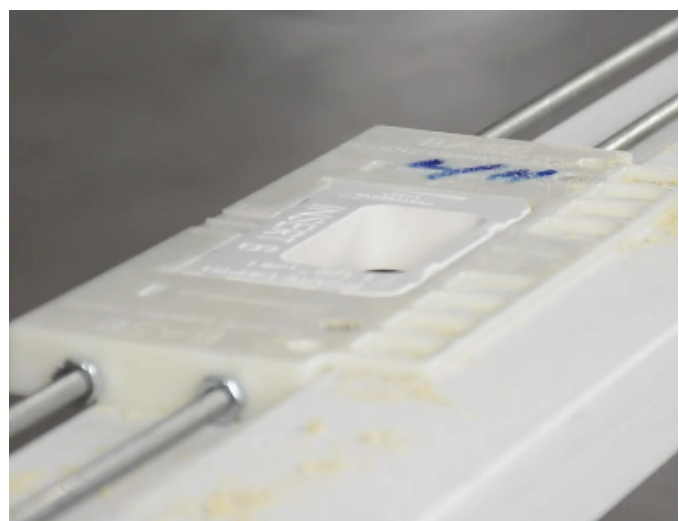
Turn router on. Rotate bit into center of template pocket to prevent damaging edge of template. Remove all material within template pocket. Remove all dust and debris from frame.

## STEP 9



Third pocket machining. Reset the router bit depth to 1-1/2" using the guide on the front of template INSERT B.

## STEP 10



Place INSERT B into template base as shown.



## STEP 11



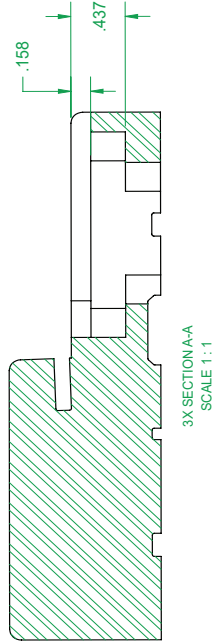
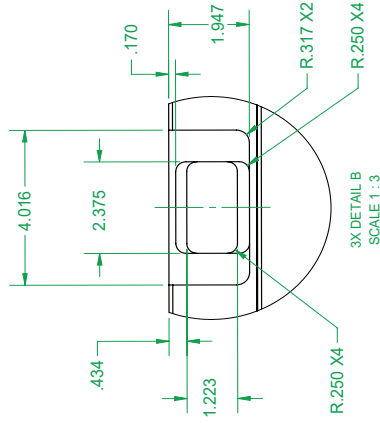
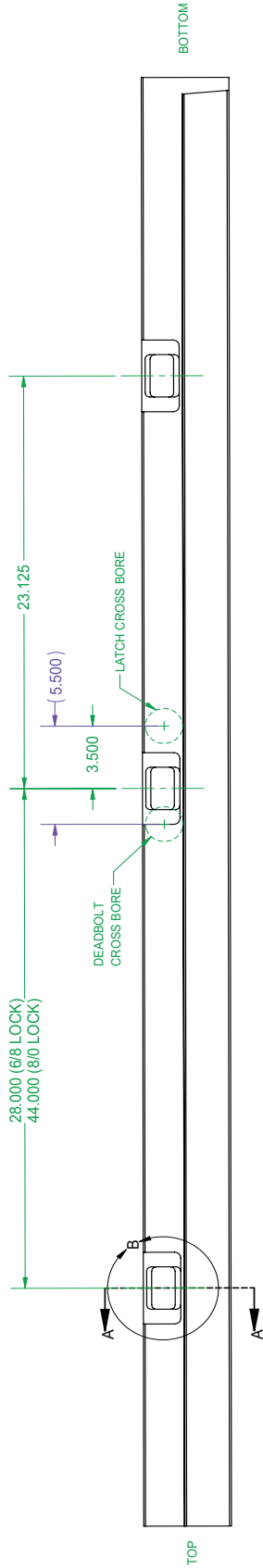
Turn router on. Rotate bit into center of template pocket to prevent damaging edge of template. Remove all material within template pocket. Remove all dust and debris from frame. Strike plate assembly frame mortise is now complete. Repeat steps for remaining pockets.

## STEP 12



An alternative to moving the routing template for each pocket is to attach template BASES, spaced apart to align with all lock latching points. Using threaded rods and nuts, template BASES can be joined together, and spaced as needed.

REV	DATE	REVISION DESCRIPTION
A	11/16/20	INITIAL RELEASE
B	11/17/20	ADDED 8/0 DIMENSIONS
C	01/18/23	SECOND STEP ROUTE CHANGED



TITLE	PANOLock STRIKE ROUTE
DATE	12/02/19
DESIGNED BY	Adam Kendall
CHECKED BY	Adam Kendall
DATE	01/18/23
REV	C
DRAWING NUMBER	16031-300
SCALE	1:8
SIZE	B
SHEET	1 OF 1

**INSPECTION DIMENSIONS ARE CIRCLED**

The information contained in this document is for reference only. It is not intended to be used as a substitute for the original drawing. The user is responsible for verifying the accuracy of the information provided. The user is also responsible for ensuring that the information provided is used in accordance with the applicable laws and regulations. The user is not to be held liable for any damages or losses resulting from the use of this document. Maximum lead (Pb) content of all parts and/or coatings to be 0.01% (0.01% by weight).