

# Ultimate Push Button Astragal

## Outswing Field Installation Instructions

8817 West Market Street  
 Colfax, NC 27235 | 800.334.2006  
 www.enduraproducts.com



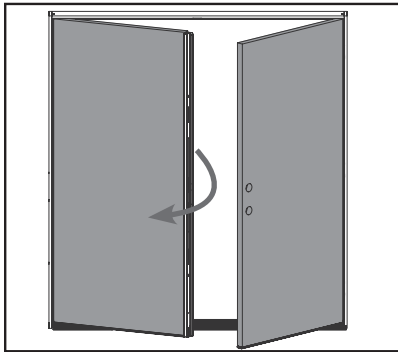
### Tools Required:

- Pencil/Marker
- Utility Knife
- Screwdriver
- Tape Measure
- Drill (3/8" and 5/8" Bits)
- Rubber Mallet

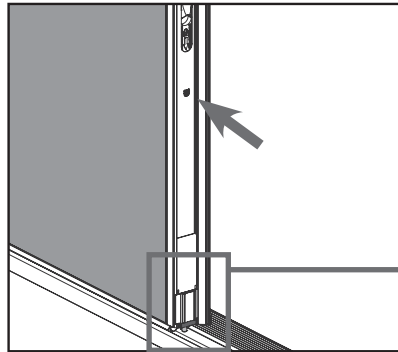
### Kit Includes:

- Lower Bolt Receiver
- Header Strike Plate
- (2) #6 x 1-1/2" Screws

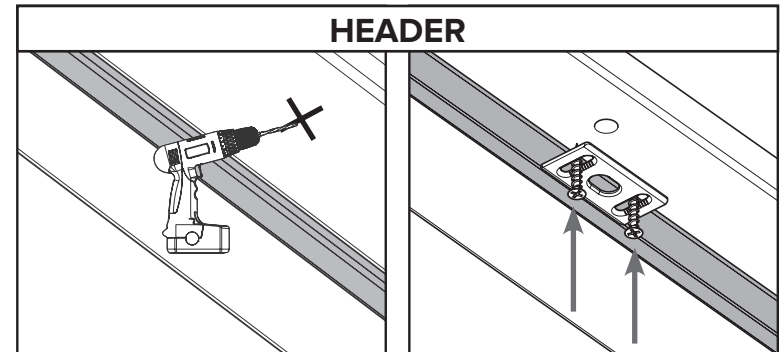
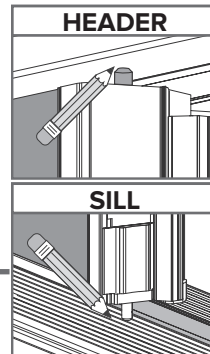
## STEP 1: INSTALL HEADER AND SILL BOLT RECEIVERS



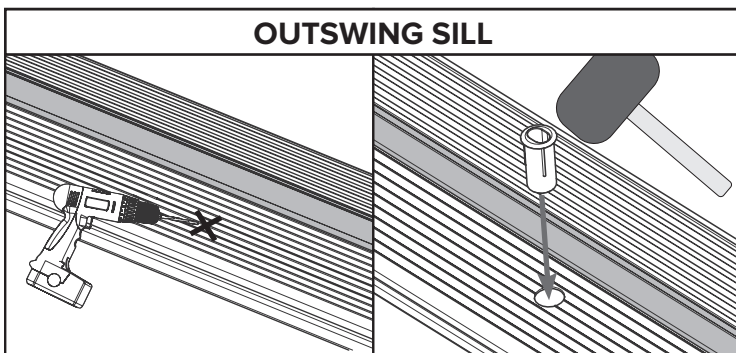
**a.** Close the inactive door panel until the weatherstrip on the header is compressed.



**b.** Press and engage the upper and lower bolts so the bolt pins come in contact with the header and the sill. Mark these points of contact.



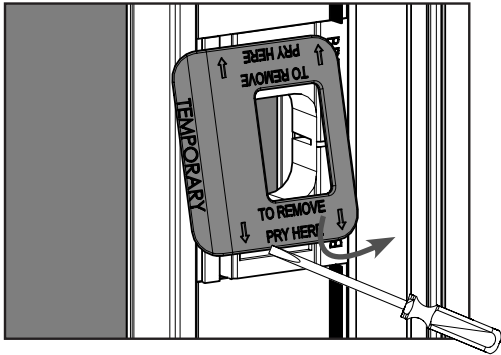
**c.** At the marked location on the header, drill a hole **3/8" in diameter** and at least **1-3/8" deep**. Install the header strike plate into the header using two #6 x 1-1/2" screws.



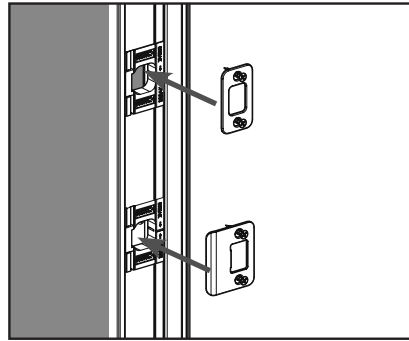
**d.** At the marked location on the sill, drill a hole **5/8" in diameter** and at least **1-3/8" deep**. Install the lower bolt receiver by tapping into the sill with a rubber mallet.

Rev. Date: 6/20/23  
 ©Endura Products, Inc.  
 Innovation protected under patents and patents pending  
 in U.S. and Canada. See [www.EnduraPatents.com](http://www.EnduraPatents.com)  
 #211159-ULT-O-FP

## STEP 2: INSTALL STRIKE AND DEADBOLT PLATES

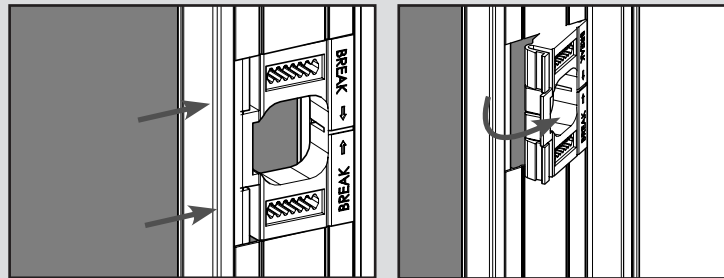
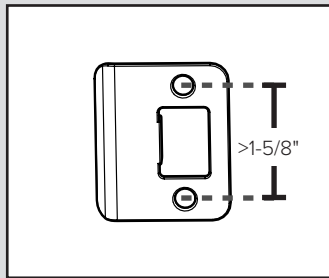


**a.** When you are ready to install the hardware on the door, pry off the dummy strike plates using a flathead screwdriver.

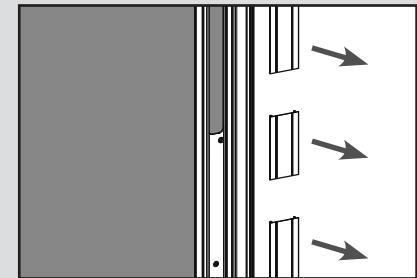


**b.** Install the strike and deadbolt plates by screwing into the retainers.

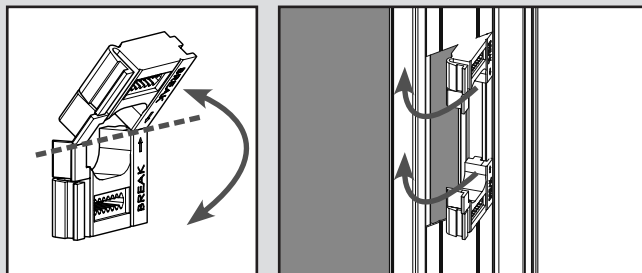
**If the hardware has mounting holes greater than 1-5/8" center to center:**



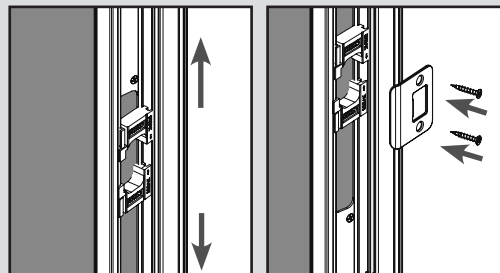
**a.** Remove the retainers from the astragal body by pushing the tabs in and rotating the retainer out.



**b.** Remove the trim strip from the astragal and set aside.



**c.** Break retainer in half using the bend lines. Return the two pieces of the retainer to the astragal and adjust to fit the larger hardware.

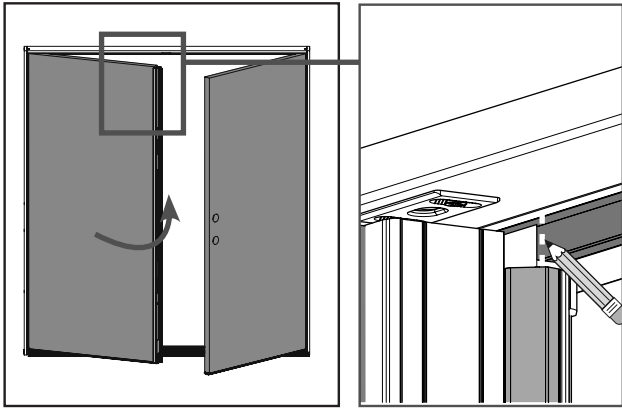


**d.** Adjust the location of the two pieces of the retainer and install the new hardware.

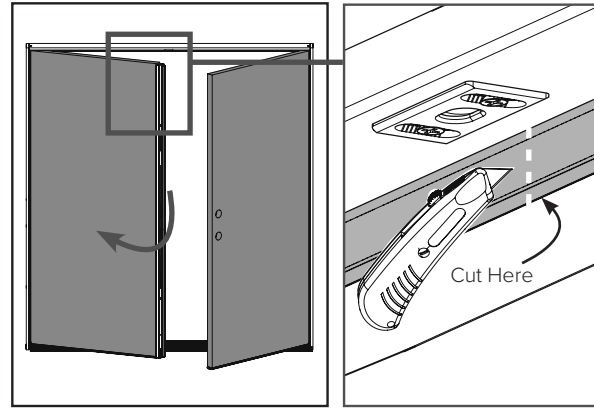


**e.** Resize the trim strip to fit flush against the deadbolt and strike plates and install into the astragal.

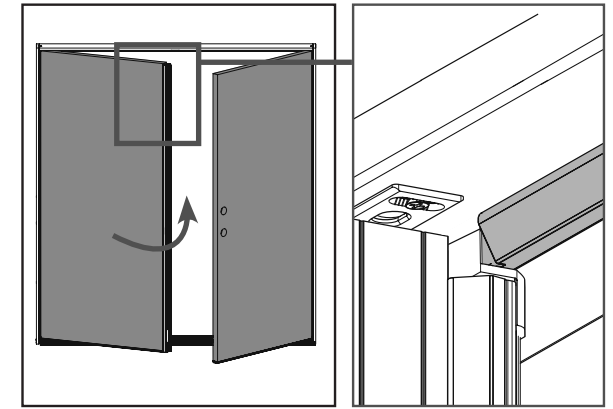
### STEP 3: CUT WEATHERSTRIP AT HEADER



**a.** Close the inactive door. Make a mark at the location where the trim cap contacts the weatherstrip.

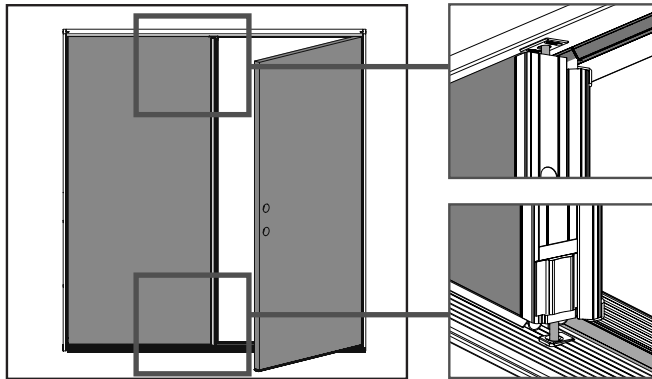


**b.** Open the inactive door. Using a utility knife, make a slit in the weatherstrip along the mark made.

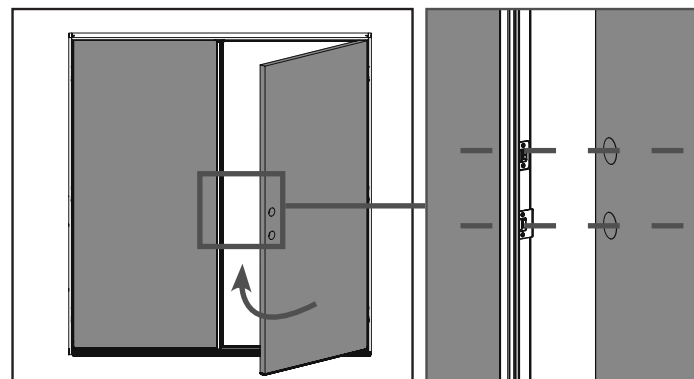


**c.** Close the inactive door panel and ensure the weatherstrip forms a secure seal around the trim cap.

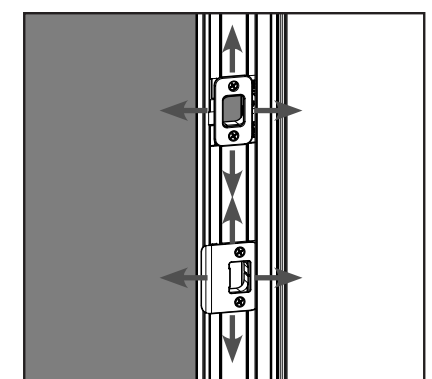
### STEP 4: CONFIRM PROPER INSTALLATION



**a.** With the inactive door panel closed, engage both the upper and lower bolts to ensure they fit into the bolt receivers smoothly.



**b.** Close the active door panel ensure the deadbolt and strike plates are aligned with the crossbores on the active door panel.



**c.** If it is not aligned, loosen screws and slightly adjust the locations of the plates.