

# Ultimate Trilennium® Astragal

## Outswing Field Installation Instructions



8817 West Market Street  
 Colfax, NC 27235 | 800.334.2006  
 www.enduraproducts.com

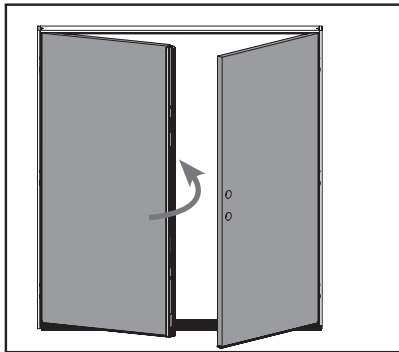
### Tools Required:

- Pencil/Marker
- Utility Knife
- Drill (3/8" and 5/8" Bits)

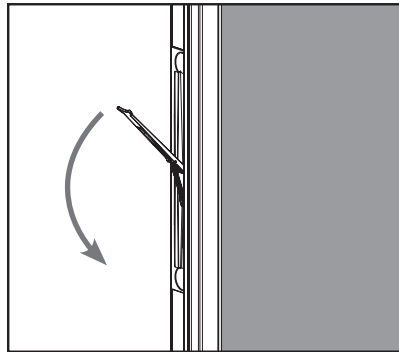
### Kit Includes:

- (2) Strike Plates
- (4) #8 x 3" Screws

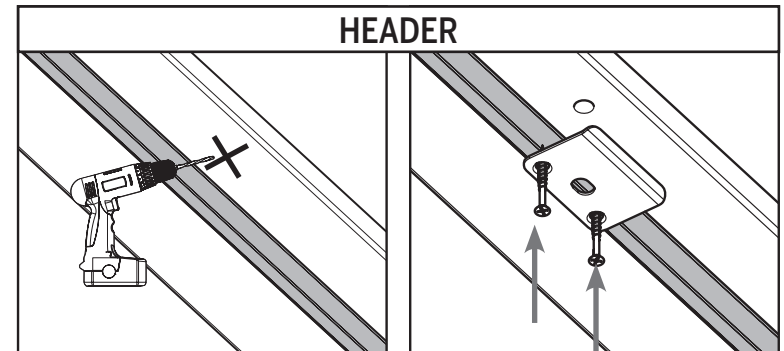
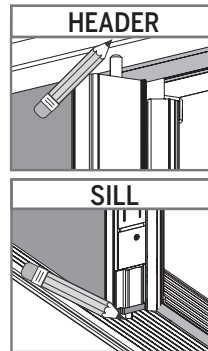
## STEP 1: INSTALL HEADER AND SILL BOLT RECEIVERS



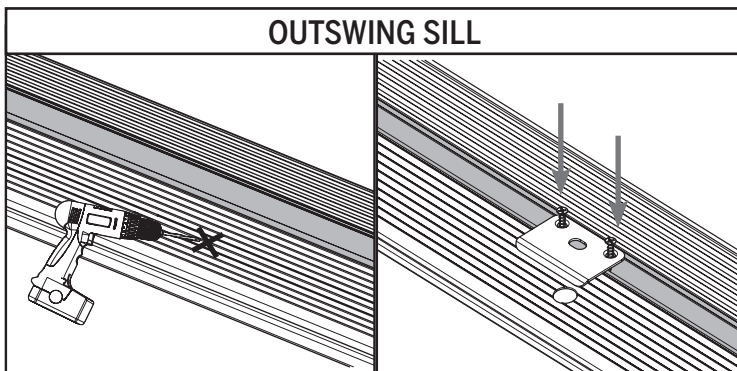
**a.** Close the inactive door panel until the weatherstrip on the header is compressed.



**b.** Engage the flip lever so the upper and lower bolt pins come in contact with the header and the sill. Mark these points of contact.



**c.** At the marked location on the header, drill a hole **3/8" in diameter** and at least **1-3/8" deep**. Install one of the strike plates into the header, using two #8 x 3" screws.

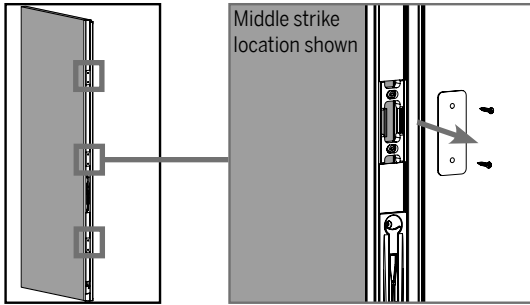


**d.** At the marked location on the sill, drill a hole **5/8" in diameter** and at least **1-3/8" deep**. Install the other strike plate into the sill, using two #8 x 3" screws.

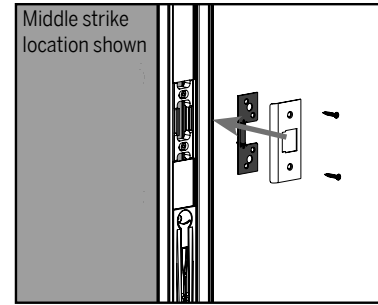
#211159-TRC-O-FP

Rev. Date: 06-20-23  
 ©Endura Products, Inc.  
 Innovation protected under patents and patents pending  
 in U.S. and Canada. See [www.EnduraPatents.com](http://www.EnduraPatents.com)

## STEP 2: INSTALL STRIKE PLATES

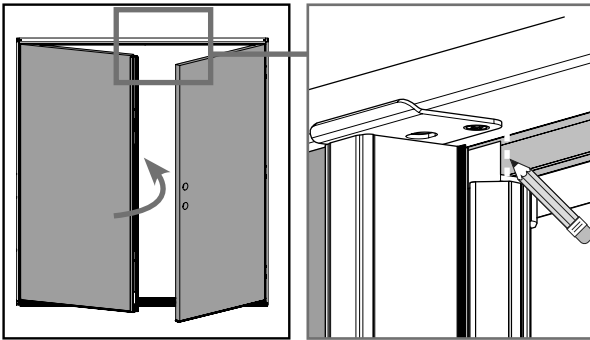


**a.** Remove the upper, middle and lower dummy strike plates.

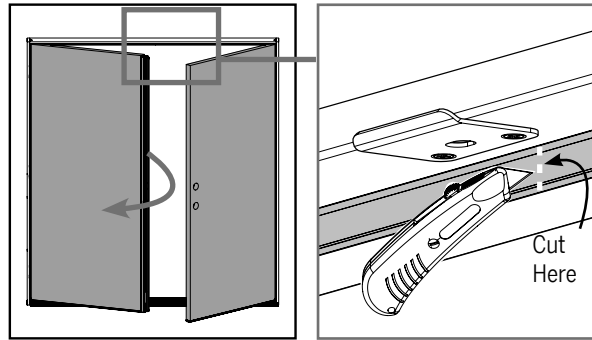


**b.** At each location install new strike plates by screwing into the retainers.

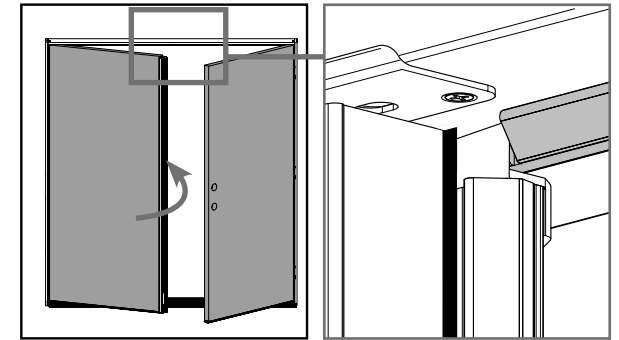
## STEP 3: CUT WEATHERSTRIP AT HEADER



**a.** Close the inactive door. Make a mark at the location where the trim cap contacts the weatherstrip.

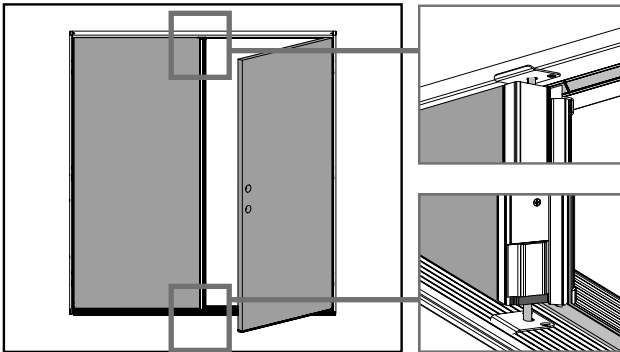


**b.** Open the inactive door. Using a utility knife, make a slit in the weatherstrip along the mark made.

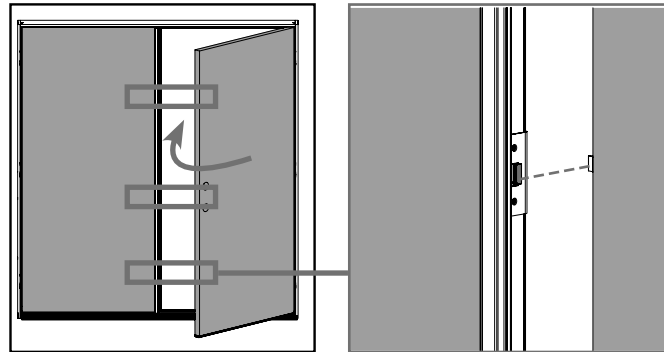


**c.** Close the inactive door panel. Ensure the weatherstrip forms a secure seal around the trim cap.

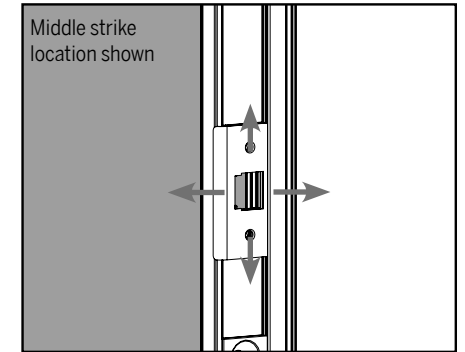
## STEP 4: CONFIRM PROPER INSTALLATION



**a.** With the inactive door panel closed, engage both the upper and lower bolts to ensure they fit into the bolt receivers smoothly.



**b.** Close the active door panel and engage the lock to ensure the upper, middle and lower strike locations are properly engaged.



**c.** If the plates are not aligned correctly, loosen screws and slightly adjust the locations of the plates.