

# PanoLock® Astragal

## Prehanger Installation Instructions

8817 West Market Street  
 Colfax, NC 27235 | 800.334.2006  
 www.enduraproducts.com



### Tools Required:

- Flathead Screwdriver
- Shears
- Phillips Screwdriver
- Power Drill with 1" Drill Bit
- Tape Measure
- 1" Spade Bit

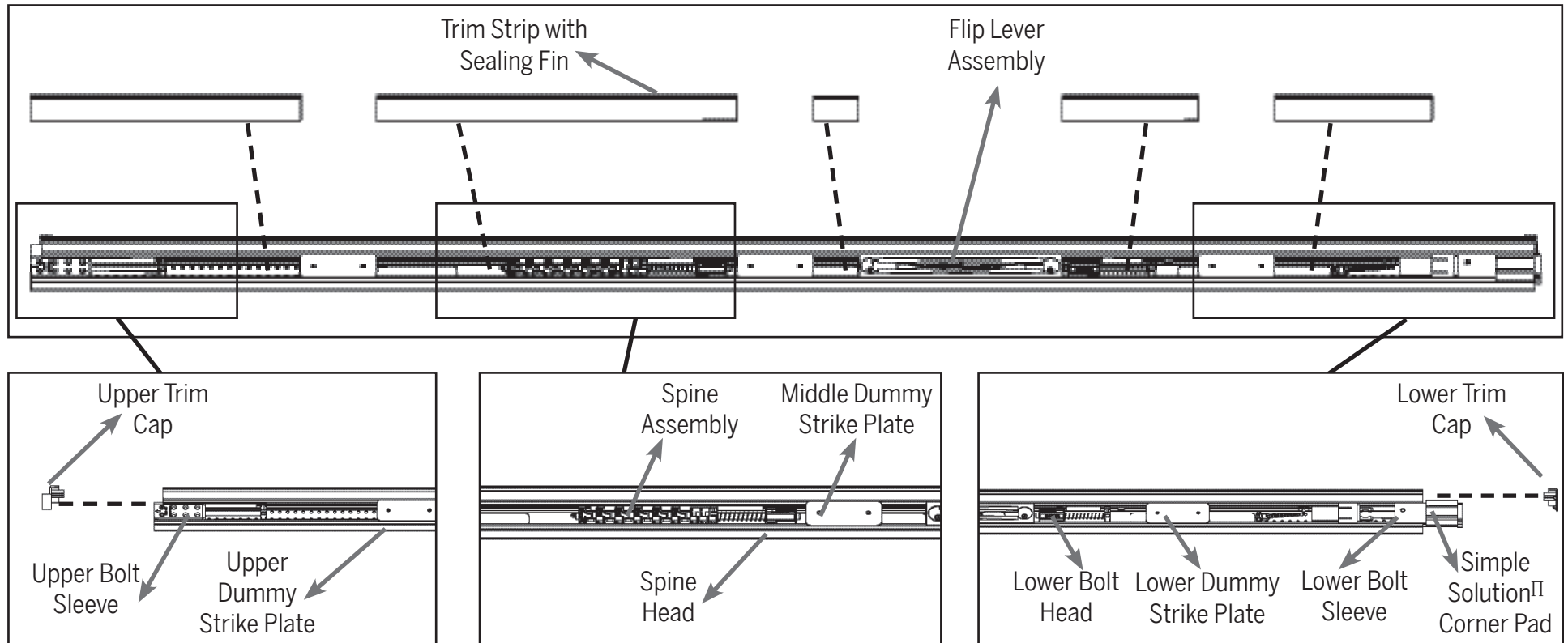
### Kit Includes:

- Full Astragal
- Full Length Trim Strip
- Screw Pack
- Field Pack

### Screw Pack Includes:

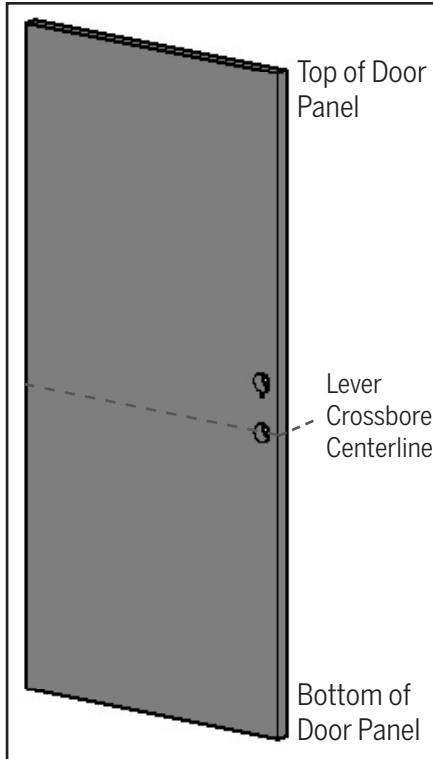
- (6) #8 x 1" Screws
- (2) #8 x 1-5/8" Screws

### Product Reference Guide

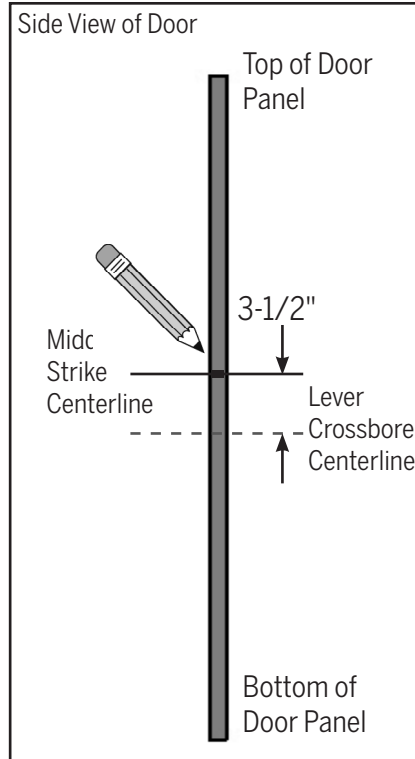


# PART A: ROUT INACTIVE DOOR PANEL FOR STRIKE PLATES

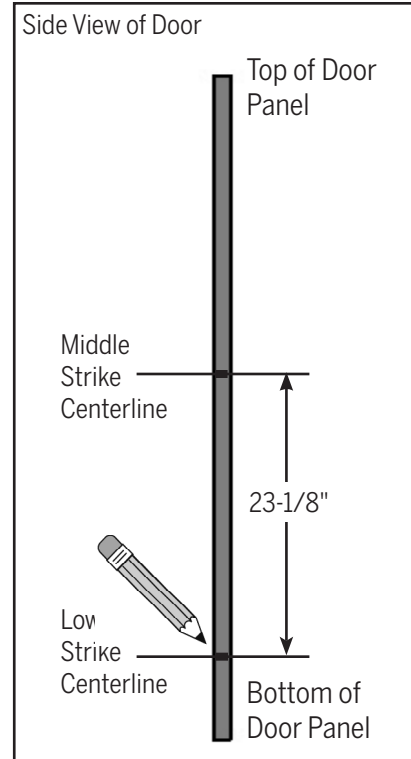
## STEP 1: DETERMINE AND MARK CENTERLINES FOR STRIKE PLATES



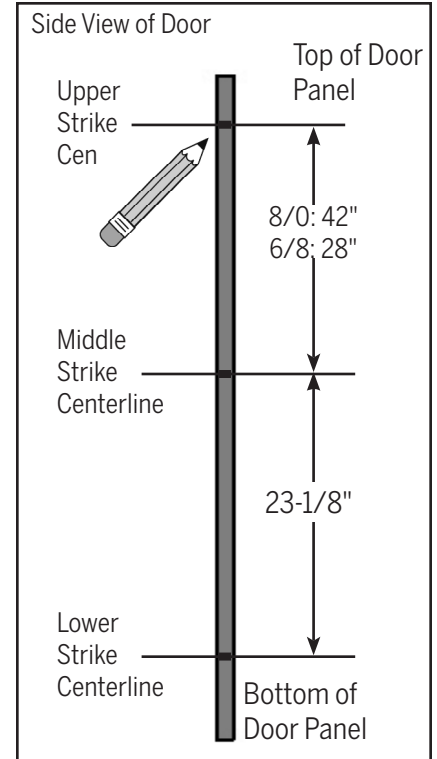
**a.** Determine the inactive door panel's lever crossbore centerline and mark.



**b.** To determine the middle strike plate centerline, measure 3-1/2" up from the lever crossbore centerline towards the top of the panel and mark.

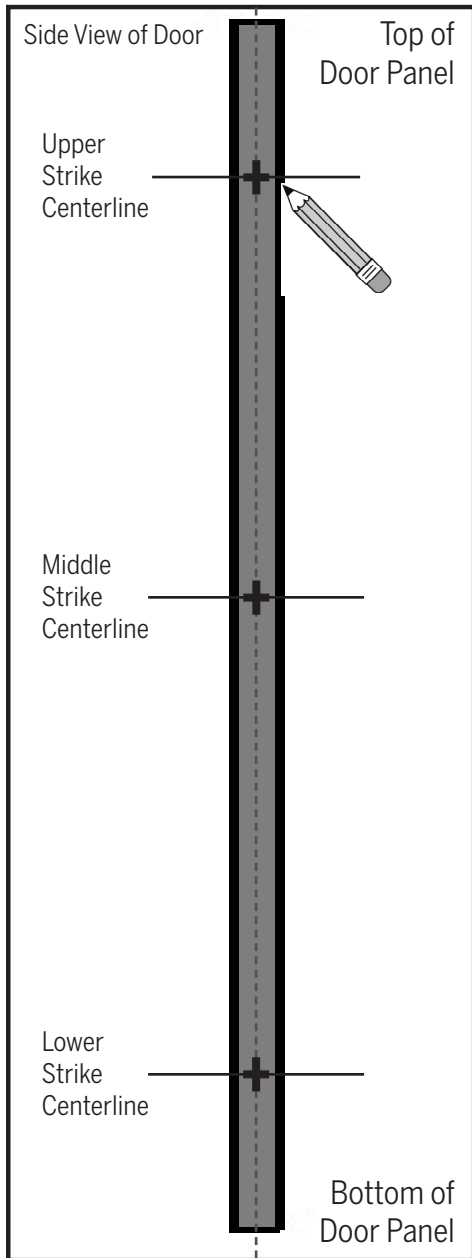


**c.** To determine the lower strike plate centerline, measure down 23-1/8" from the middle strike centerline toward the bottom of the door and mark.

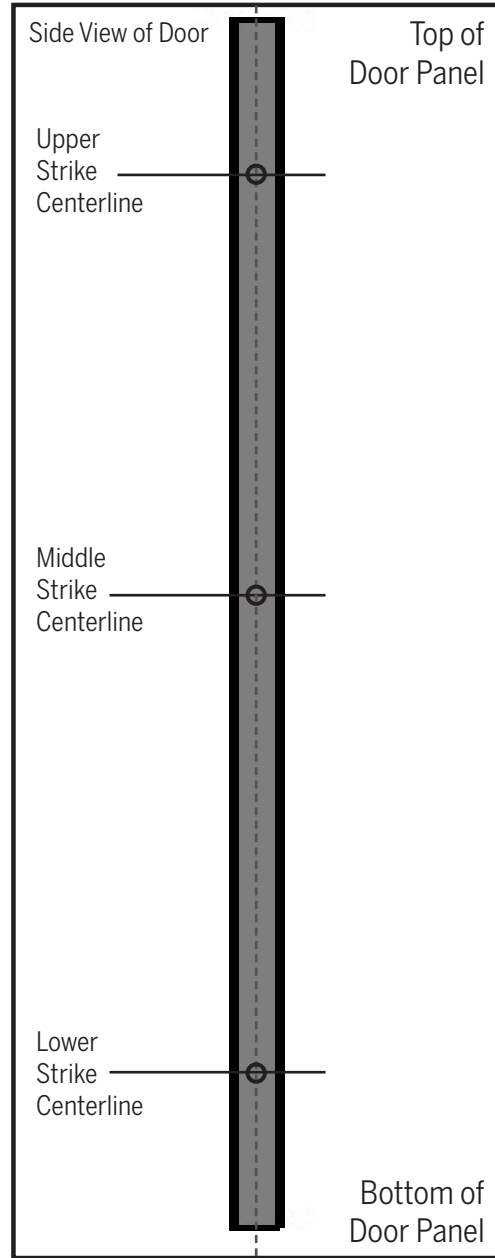


**d.** To determine the upper strike plate centerline, measure from the middle strike centerline up 28" for 6/8 doors or 42" for 8/0 doors and mark.

## STEP 2: ROUT INACTIVE DOOR PANEL



e. Determine the center point on the upper, middle and lower strike centerlines and mark the locations.

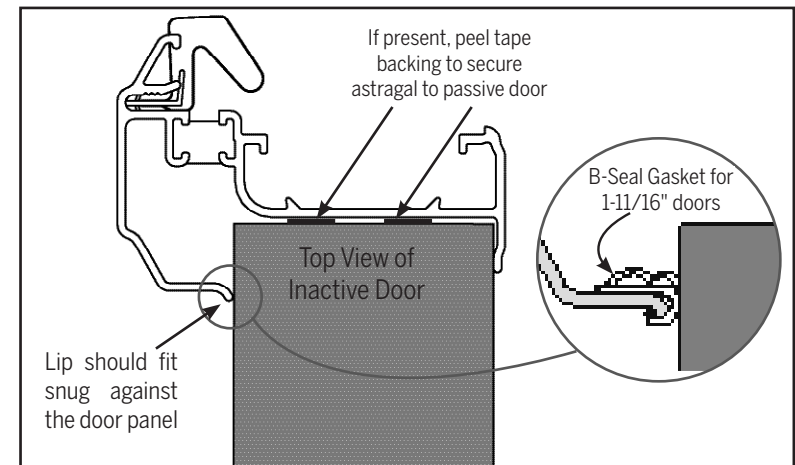


f. Using a 1" spade bit, drill a 1/2" deep hole at each center point. Clear debris from the holes.

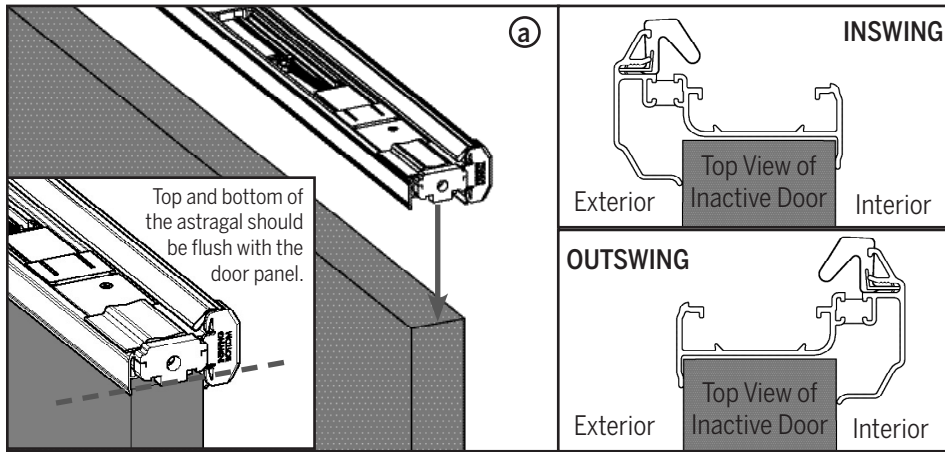
## PART B: INSTALL ASTRAGAL ONTO INACTIVE DOOR PANEL

### BEFORE YOU BEGIN:

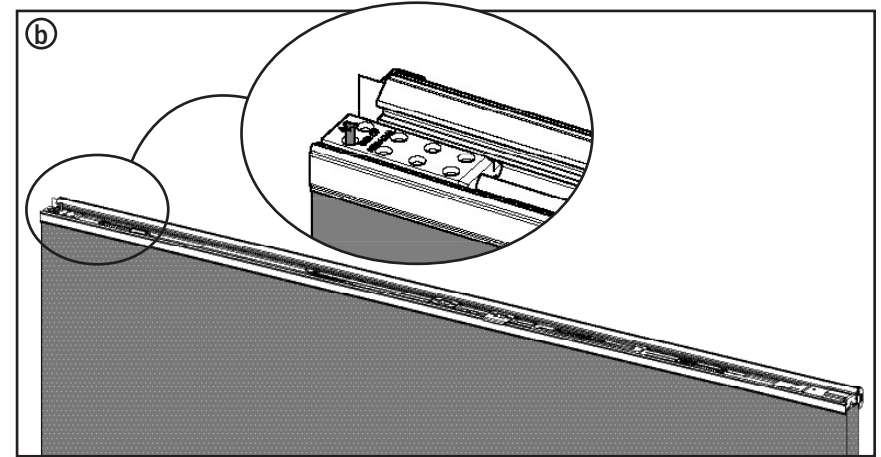
- Ensure that you have the correct length and handing of astragal for your door.
- Remove the trim strip and screw pack from the astragal body and set aside.
- If tape is present on the back of the astragal, peel off the backing.
- Confirm the thickness of your door panel. For door panels with thicknesses of **1-11/16"**, apply the available B-seal gasket to accommodate the gap between the panel face and astragal.



## STEP 3: PLACE ASTRAGAL ON DOOR PANEL



**a.** Place the astragal onto the door panel. For **Inswing** doors, the wide side of astragal goes on outside of the door. For **Outswing** doors, the wide side of astragal goes on inside of the door. The top and bottom of the astragal should be flush with the top and bottom of the door panel.



**b.** Press the astragal down along the length of the panel. An orange securing pin will pop up in the upper bolt sleeve. **Do not remove the pin at this time.**

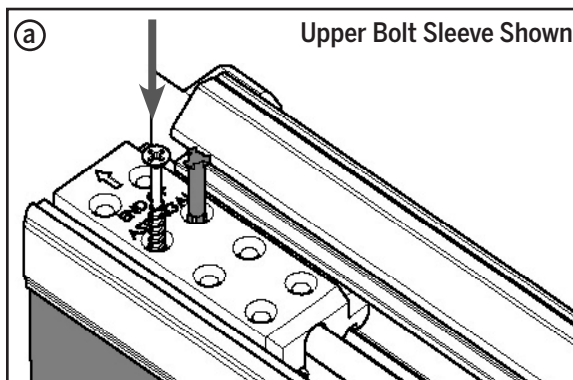


**If present, ensure the backing of the tape is removed before pressing down.**

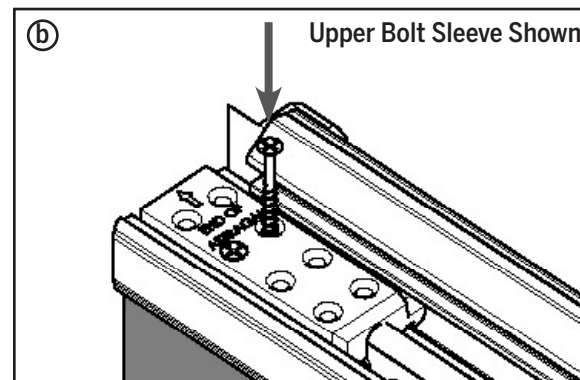
## STEP 4: SECURE ASTRAGAL TO DOOR PANEL

Please refer to the Product Reference Guide on Page 1 to identify the different components within the astragal.

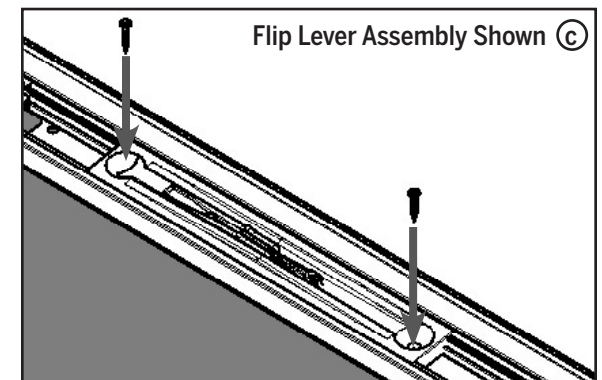
For Step 4, only tighten screws until flush with mating surfaces. **Do not overtighten the screws.**



**a.** Keeping the orange securing pin in place on the upper bolt sleeve, install a #8 x 1-5/8" screw in the hole adjacent to the orange securing pin.

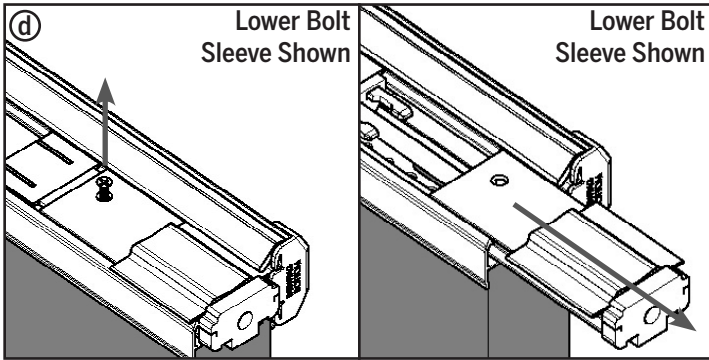


**b.** Remove the orange securing pin from the upper bolt sleeve and replace it with a #8 x 1-5/8" screw.

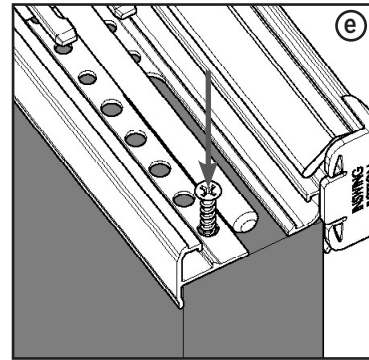


**c.** Install two #8 x 1" screws to secure the flip lever assembly into the door panel.

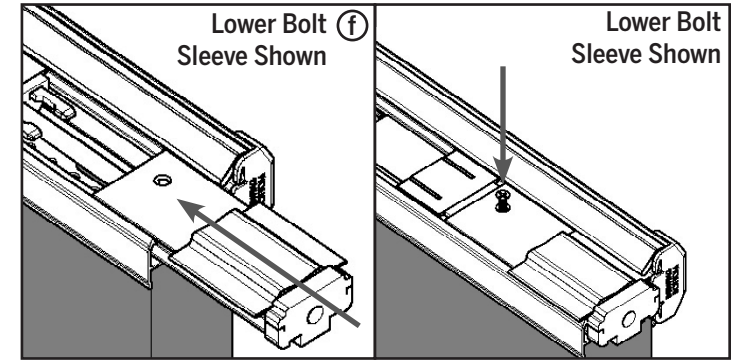
## STEP 4 (CONT.): SECURE ASTRAGAL TO DOOR PANEL



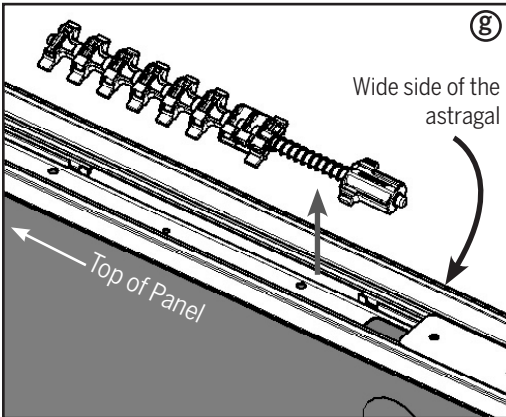
**d.** Remove the screw securing the lower bolt sleeve and slide the bolt sleeve out.



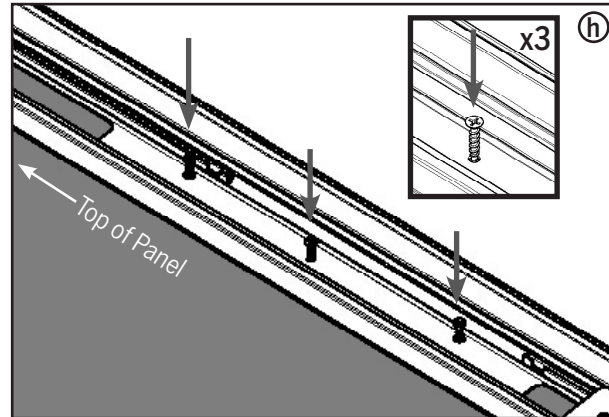
**e.** Install one #8 x 1" screw on the lower most hole next to the U-notch in the astragal body.



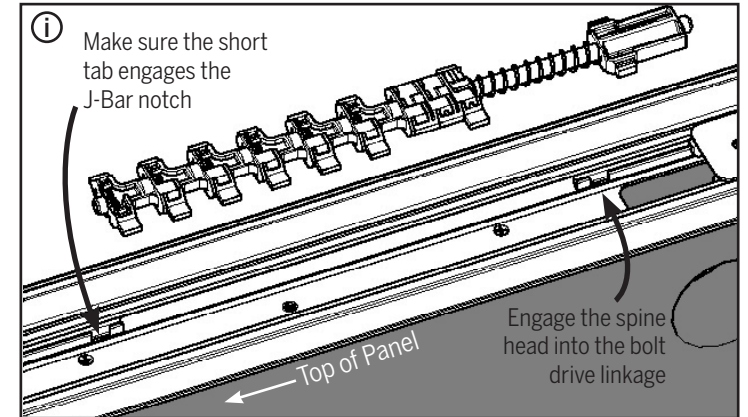
**f.** Return the bolt sleeve onto the lower bolt and reinstall the screw securing the bolt sleeve.



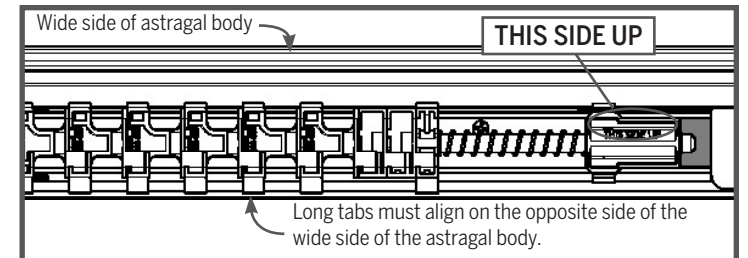
**g.** Remove the spine assembly and set aside to reveal screw holes in the body of the astragal. Remove by lifting from the wide side of the astragal first.



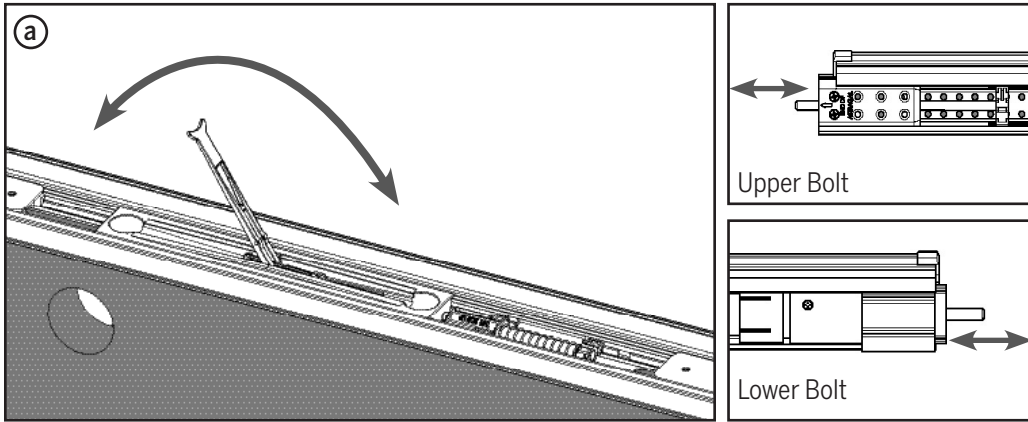
**h.** Install three #8 x 1" screws into the astragal body to secure the astragal to the door panel.



**i.** Return the spine assembly into the astragal, ensuring correct orientation as shown in image below.



## STEP 5: CONFIRM FLIP LEVER OPERATION



**a.** Engage the flip lever and ensure both the upper and lower bolts move in and out smoothly.

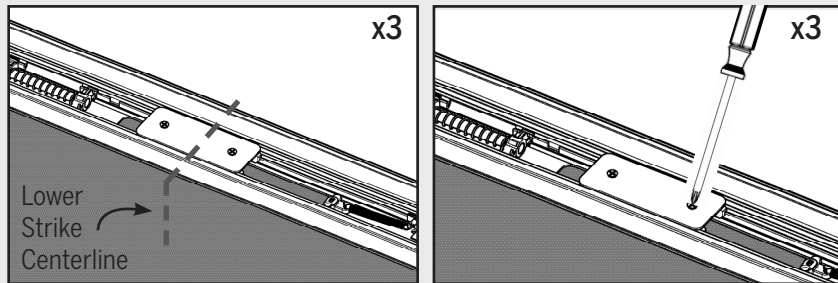
**b.** If the bolts **do not** operate smoothly:

- Check for bolt obstructions.
- Check that the screws in the astragal are not overtightened in the astragal body. The top of the screw should be flush with the astragal body.
- If the lever operation is difficult, slightly loosen the screws securing the flip lever assembly.

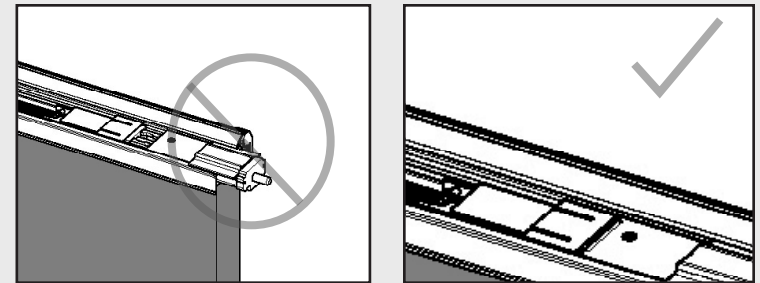
## STEP 6: SIZE AND INSTALL TRIM STRIP

Trim strip is included as a single, full-length piece and must be sized to fit appropriately between the astragal components. For each segment, measure, cut and install the trim strip, ensuring the sealing fin side of the trim strip is installed on the side closest to the weatherstrip on the astragal.

Before measuring the length between astragal components, check the following:

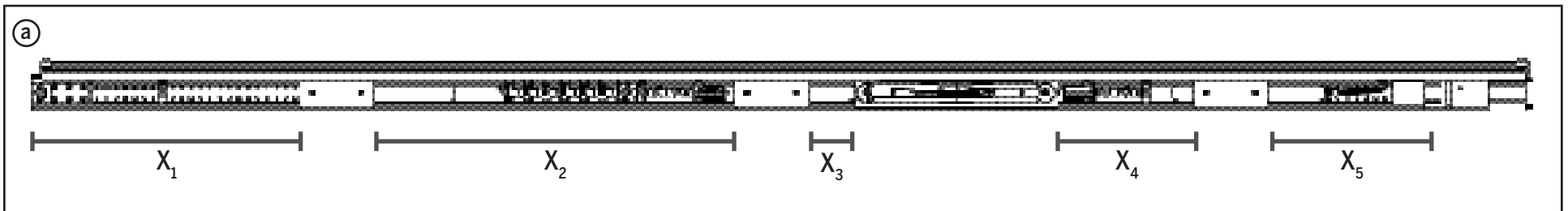


Adjust the location of the strike plates based on the three strike centerlines marked in Part A ( Page 2). Tighten the screws to secure them into place.



Ensure the upper and lower bolts are in the retracted position.

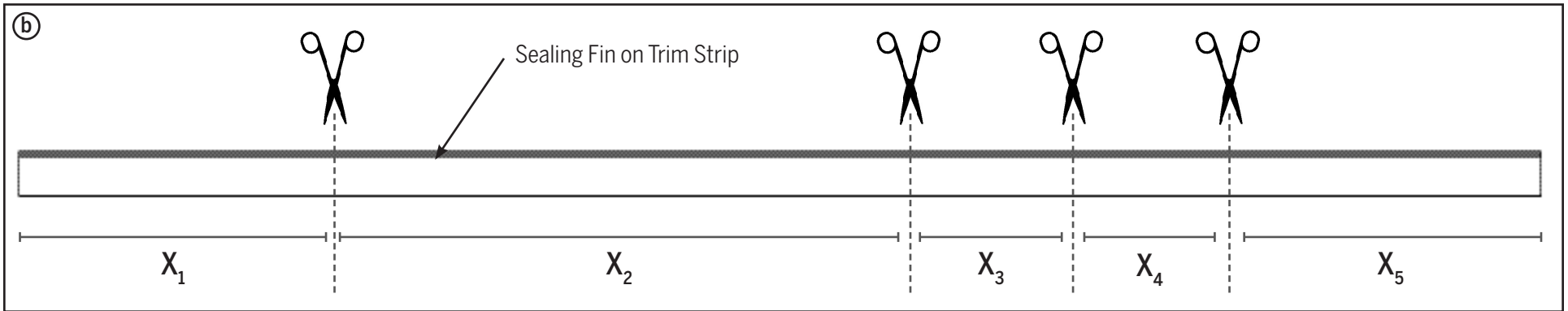
**a.** Measure the length between the astragal components.



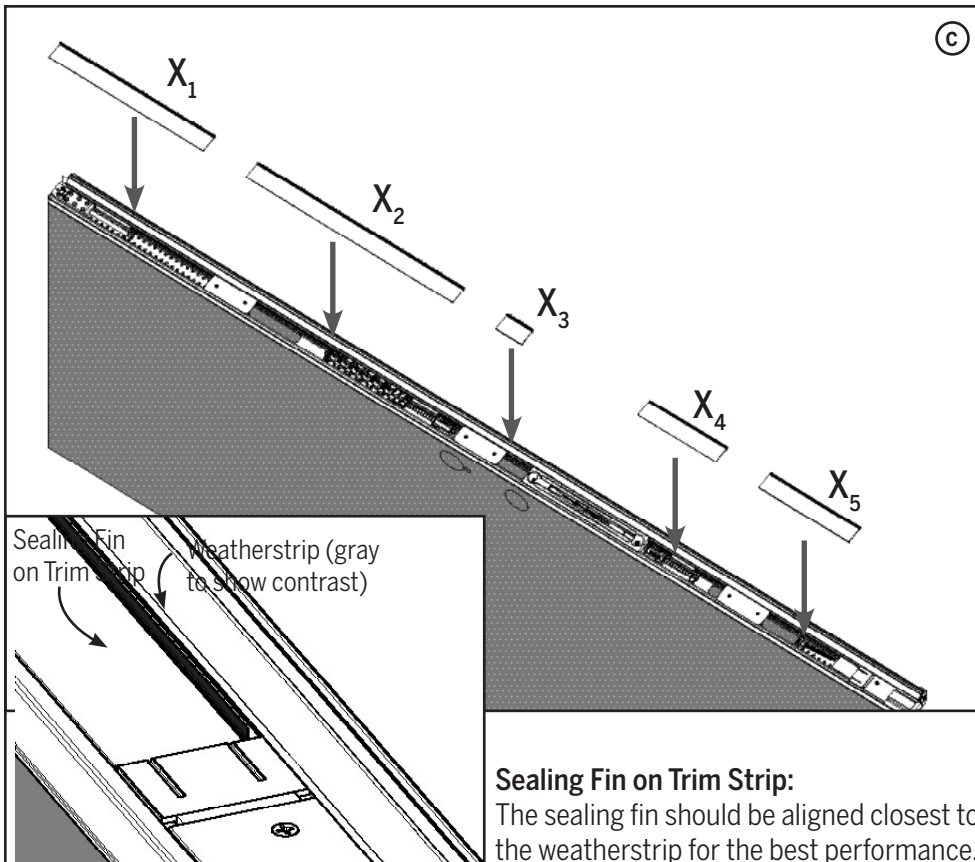


## STEP 6 (CONT.): SIZE AND INSTALL TRIM STRIP

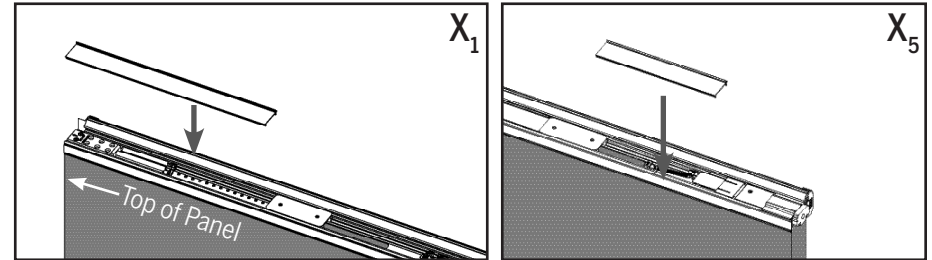
b. Cut the trim strip into appropriate sizes.



c. Install trim strip into astragal body.

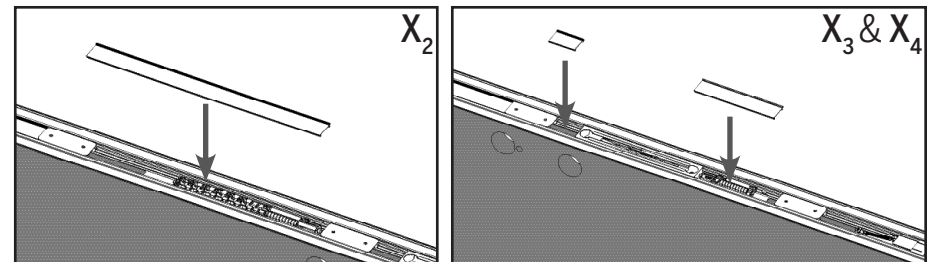


**Sealing Fin on Trim Strip:**  
The sealing fin should be aligned closest to the weatherstrip for the best performance.



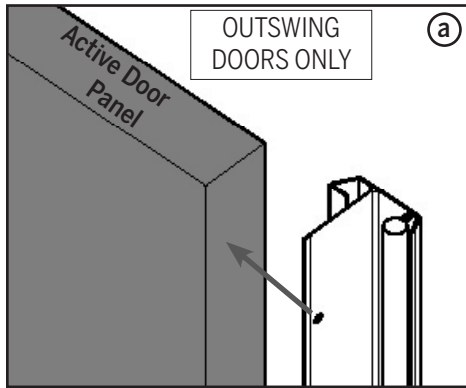
**Upper Trim Strip:** Install the  $X_1$  trim strip to be flush between the top of the astragal and the upper strike plate.

**Lower Trim Strip:** Install the  $X_5$  to be flush between the bottom of the lower strike plate and the top of the lower bolt.

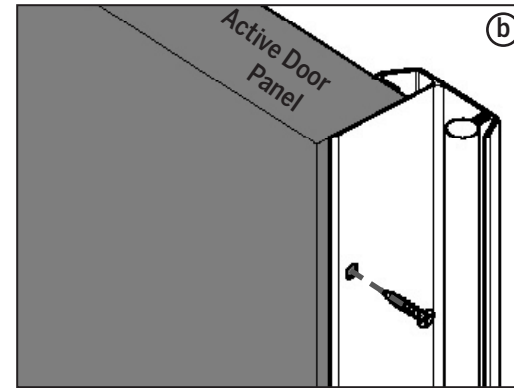
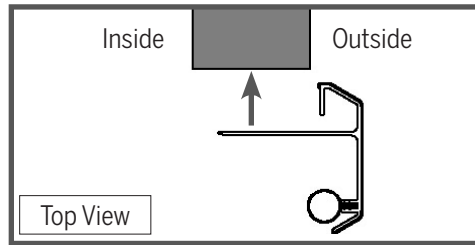


**Middle Trim Strips:** Install the  $X_2$  trim strip to be flush between the bottom of the upper strike plate and the top of the middle strike plate. Install the  $X_3$  trim strip to be flush between the bottom of the middle strike plate and the top of the flip lever assembly. Install the  $X_4$  trim strip to be flush with the bottom of the flip lever assembly and the top of the lower strike plate.

## STEP 7: INSTALL OPTIONAL SECURITY FLANGE (OUTSWING ONLY)



**a.** Position the security flange on the active door panel with the wide flange facing the outside of the house. Peel the tape backing and secure against the active panel.



**b.** Insert the screws through the predrilled holes to secure the flange snug against the face of the active door.