



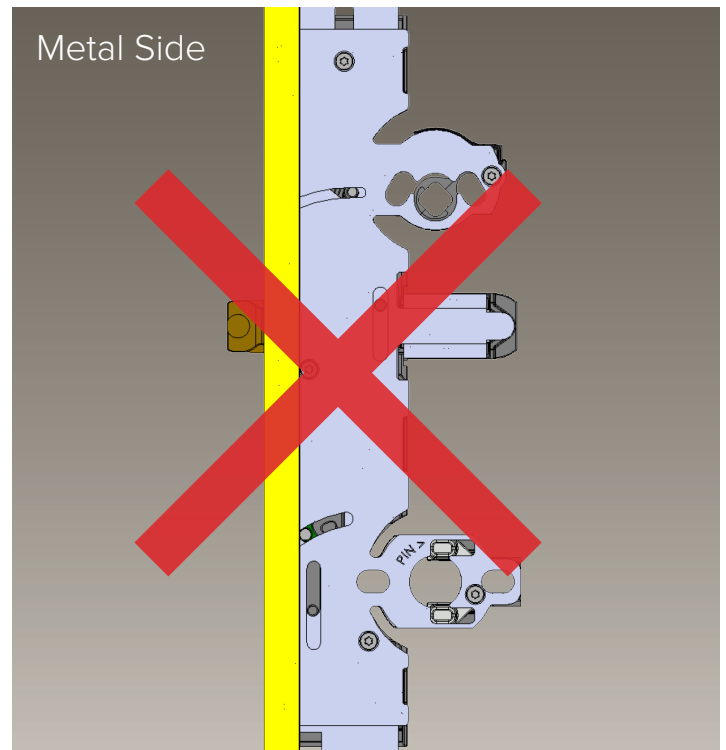
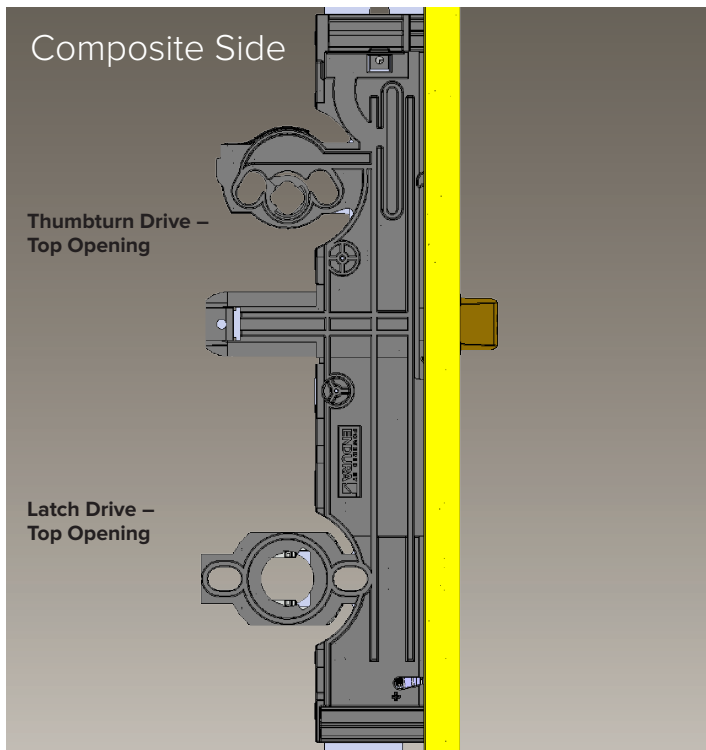
**PANOLOCK**<sup>®</sup>  
MULTI-POINT LOCK



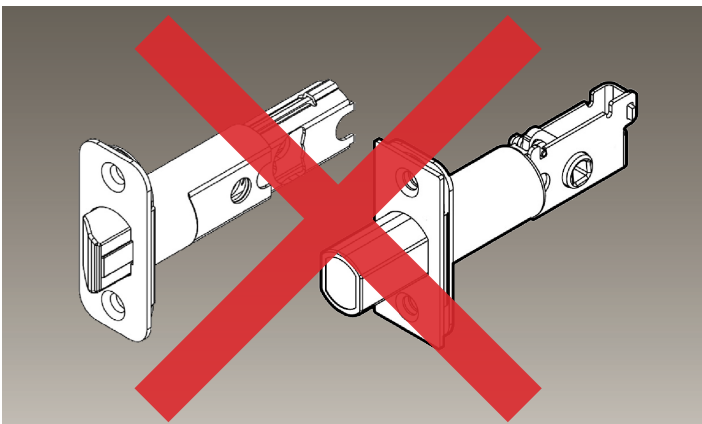
DOOR COMPONENTS MADE IN THE USA

# Handle Set Assembly Instructions

Adapters for the thumbturn and handle set are inserted from the composite side of the lock set, and not the metal side. The composite side can be facing the exterior or interior, depending upon door handing.



The latch and deadbolt assemblies supplied with the hardware are NOT used with PanoLock.



		Handleset Adapter				Thumbturn Adapter				
Handset		Square	C	Dual C+Adapter	Split Square	D	E	F	G	H
Brand	Style									
Emtek	Knob				●					●
	Lever				●					●
	Thumbpress				●					●
Schlage	Knob	●						●		
	Lever	●						●		
	Thumbpress	●						●		
Kwikset	Knob		●				●			
	Lever		●				●			
	Thumbpress						●			
Baldwin	Knob		●				●			
	Lever		●				●			
	Thumbpress			●			●			
Gatehouse	Knob	●								●
	Lever	●								●
	Thumbpress									
Defiant	Knob	●							●	
	Lever	●							●	
	Thumbpress	●							●	
Brinks	Knob	●				●				
	Lever	●				●				
	Thumbpress	●				●				
MasterLock	Knob	●								●
	Lever	●								●
	Thumbpress	●								●

\* Not all styles within a brand work for the adapter shown. Please refer to our website to verify that your preferred locksets have been tested for compatibility with PanoLock and to confirm the adapter that fits your lockset.

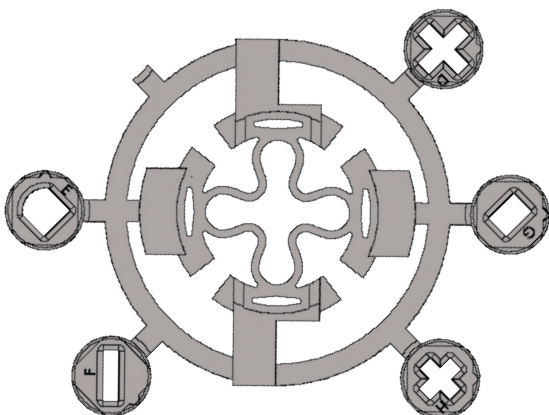
<https://www.enduraproducts.com/panolock/>

**Don't see the information you need?**

Contact Endura Products by calling (800) 334-2006 and we'll be glad to help.

Thumbturn Assembly

Step 1



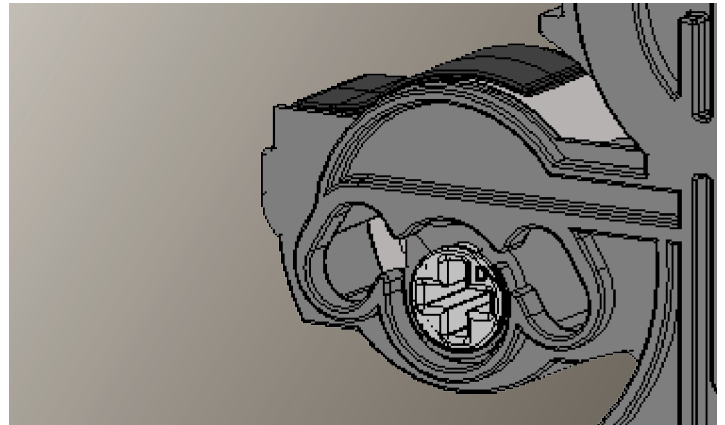
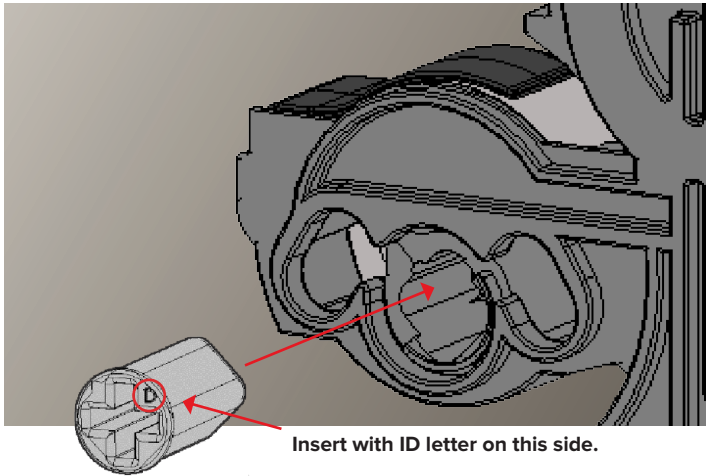
Select the adapter appropriate for the lock brand and type being used.

Thumbturn adapters are marked “D”, “E”, “F”, “G”, and “H”. Remove adapter from adapter ring.

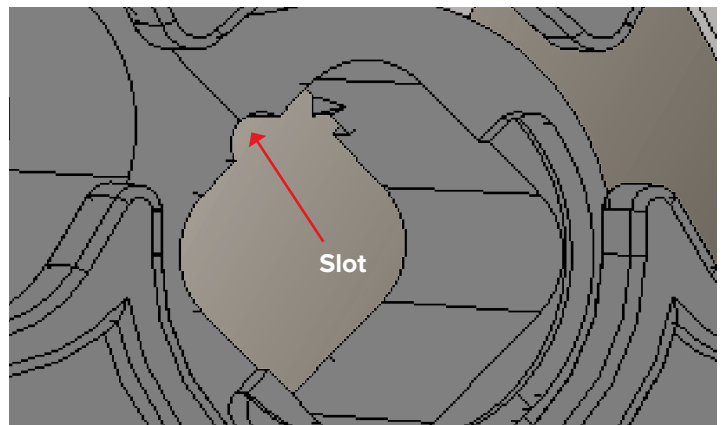
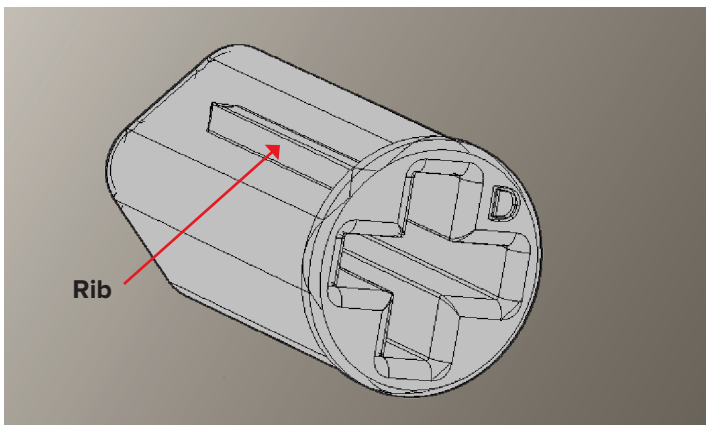
NOTE: If you are replacing an existing handle set, start by removing the existing hardware. If PanoLock is already installed, the appropriate adapter may already be present in the lock.

## Step 2

Insert adapter into top (thumbturn drive) opening.



Align rib on adapter with slot in drive opening. Press in until fully seated.



## Step 3

### Deadbolt Timing:

To ensure proper operation, time the deadbolt as follows:

Partially insert key and rotate as necessary to ensure key and cylinder in upright position. Hold key securely in upright position during timing process.

- If lock is engaged/locked (upper and lower bolts fully extended), rotate the tailpiece of the exterior cylinder toward the edge of the door panel (locked position) until it stops.
- If lock is disengaged/unlocked (upper and lower bolts retracted), rotate the tailpiece of the exterior cylinder toward the hinges (unlocked position) until it stops

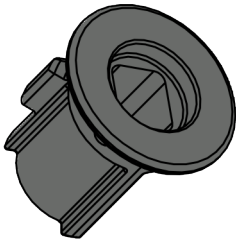
Assemble deadbolt exterior, keyed housing and interior thumbturn to door with screws supplied by deadbolt manufacturer.

# Lockset Assembly

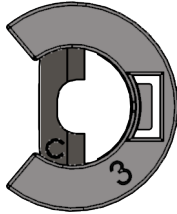
## Step 1

Select adapter appropriate for the lock brand and type being used.  
Adapter types are "Square Drive, C + Guide, Dual C + Guide and Split-Square.

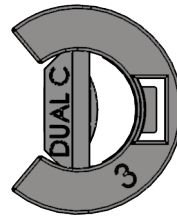
**Square Drive Adapter**



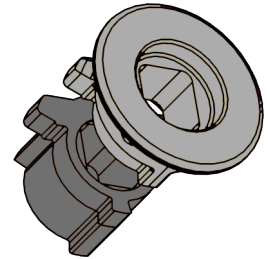
**C + Guide Adapter**



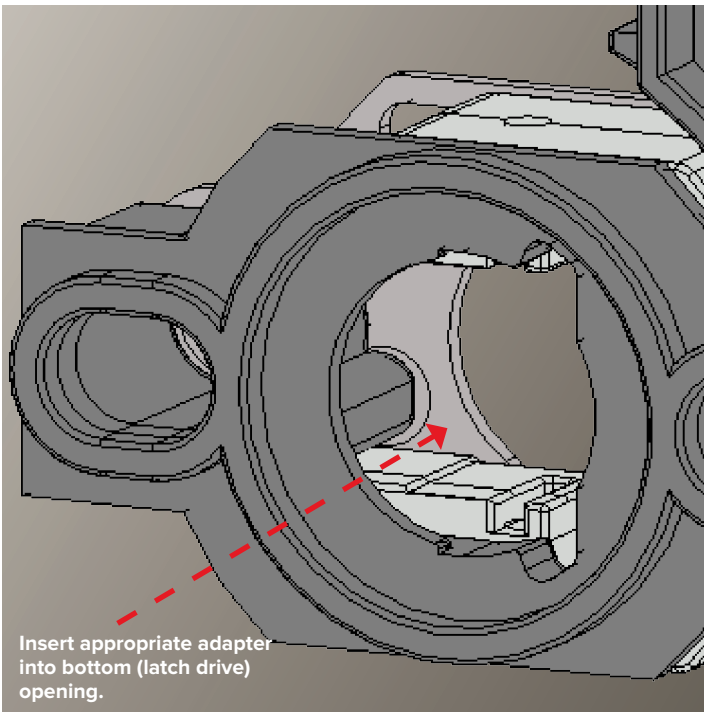
**Dual C + Guide Adapter**



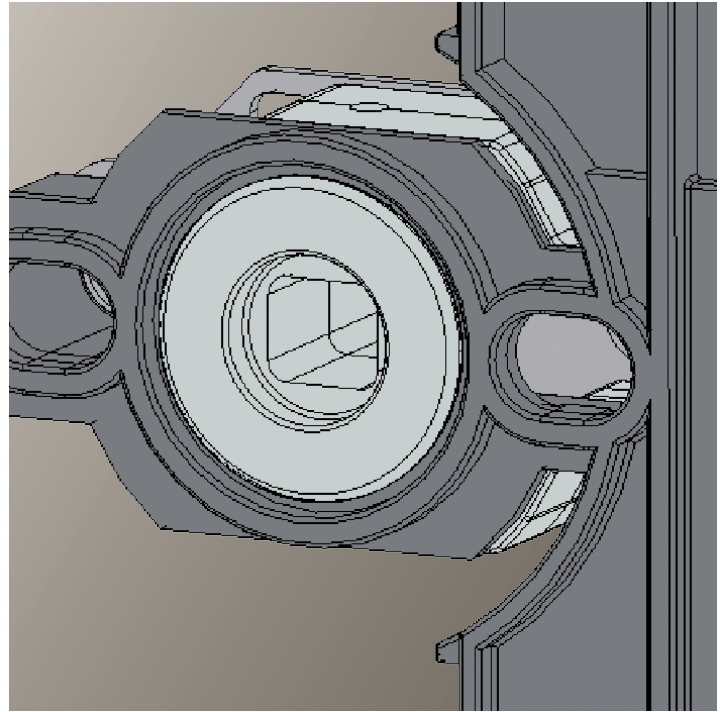
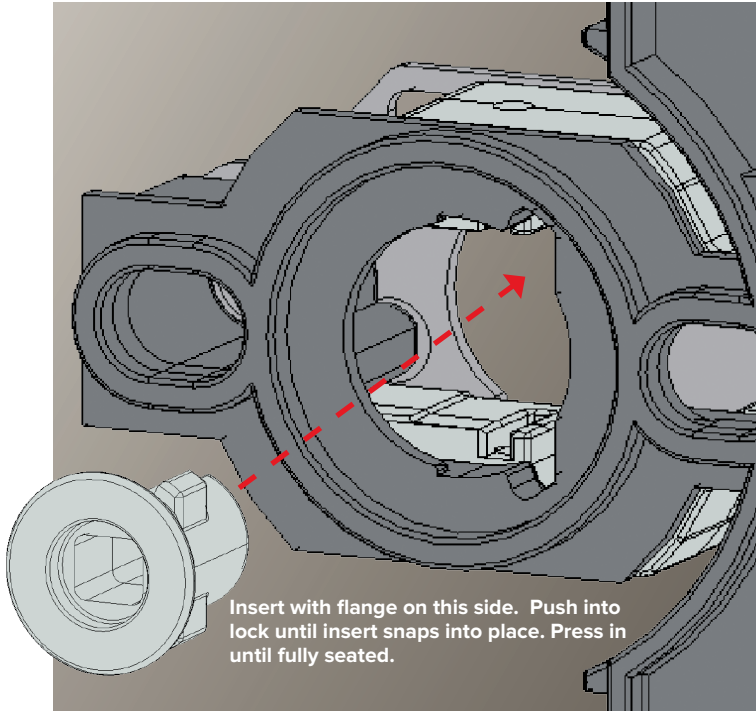
**Split-Square Adapter**



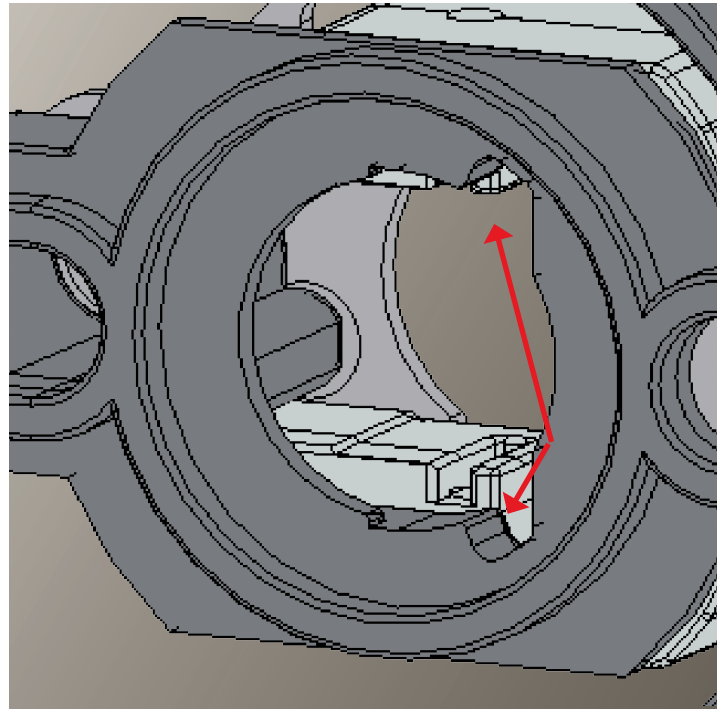
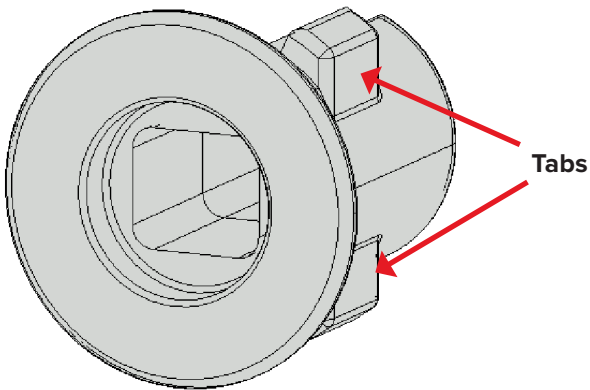
## Step 2 Install appropriate adapter.



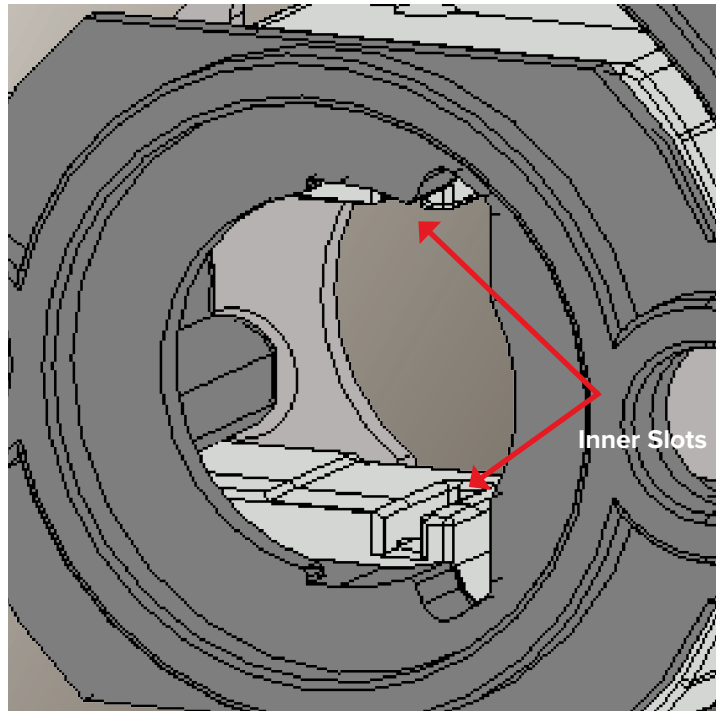
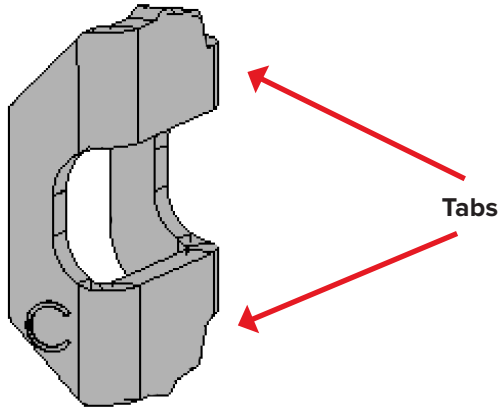
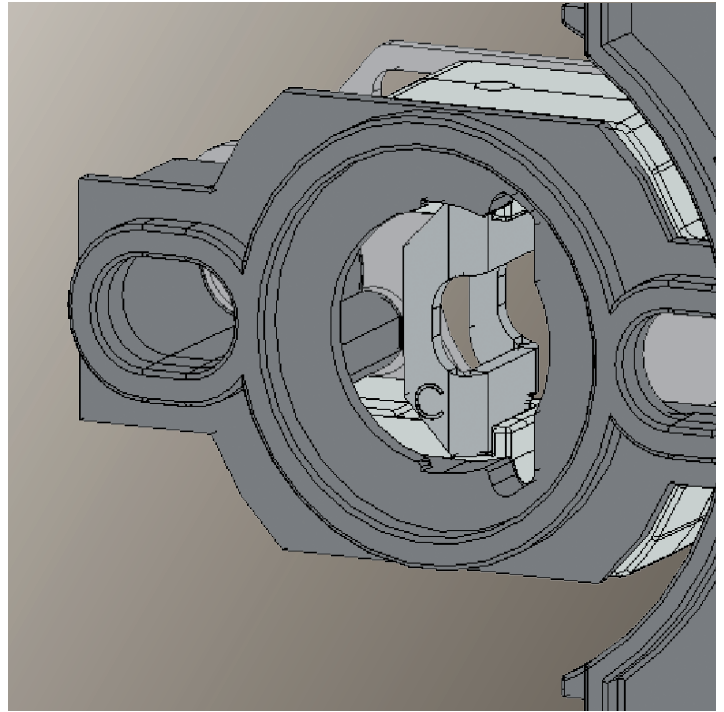
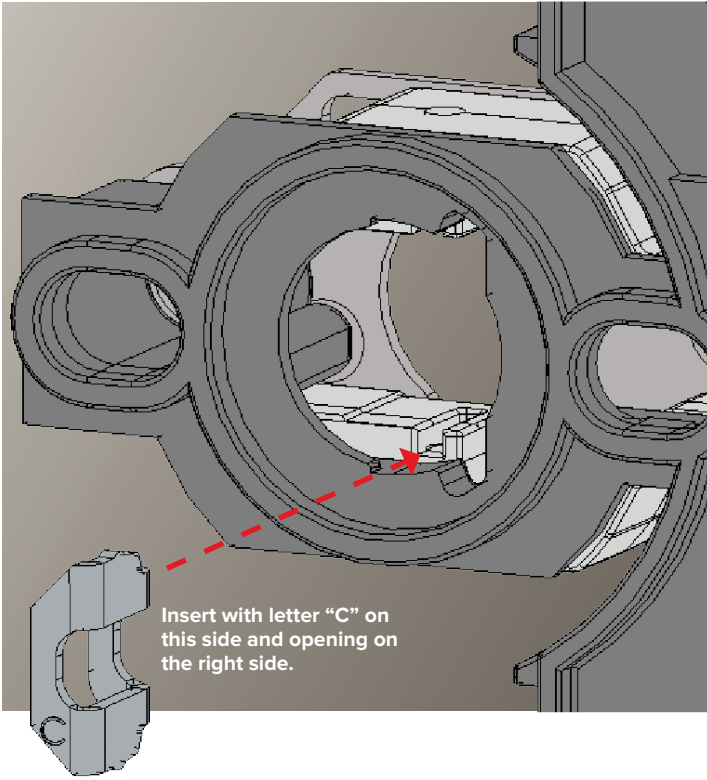
## Square Drive Adapter Assembly



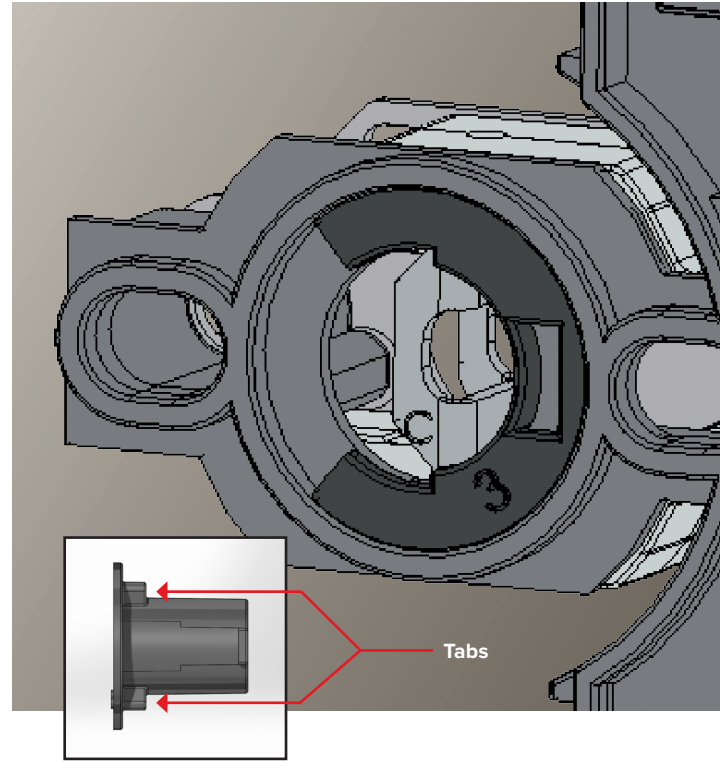
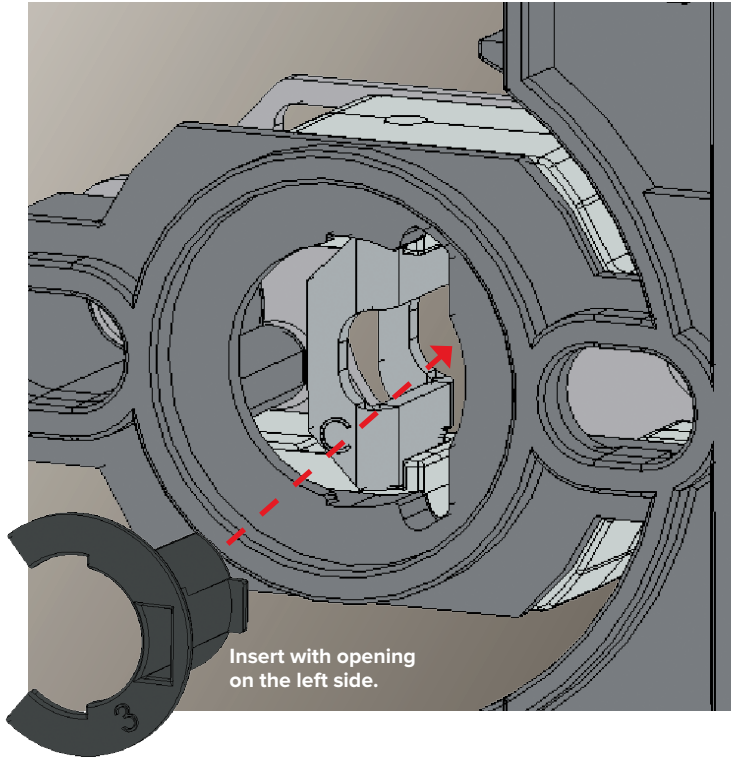
Align tabs on adapter with outer slots in drive opening.



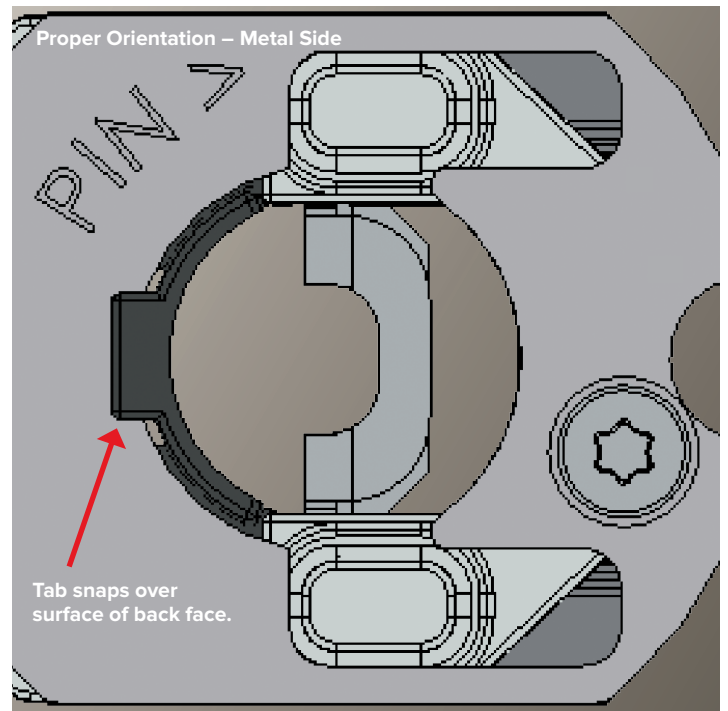
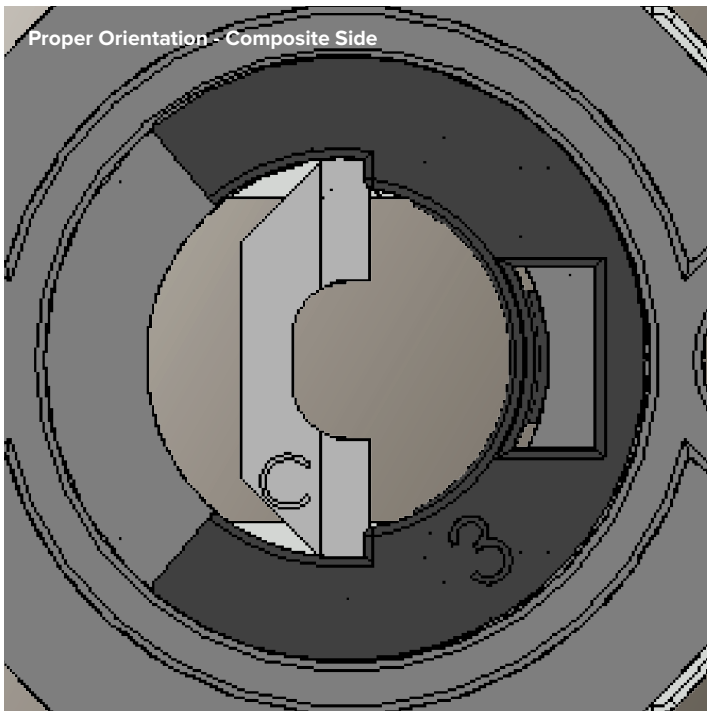
# C + Guide Adapter Assembly



# C + Guide Adapter Assembly (CTD.)

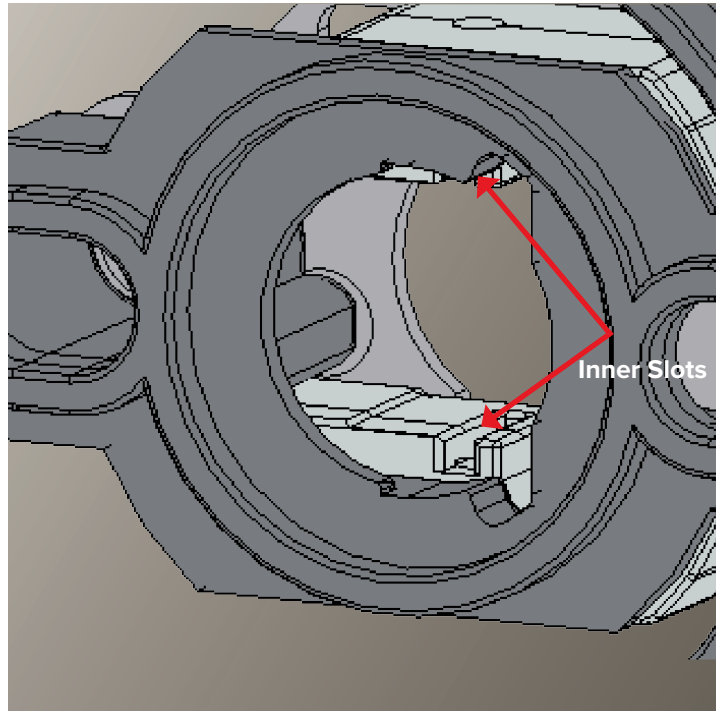
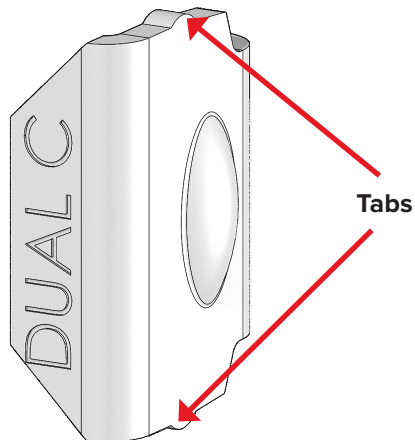
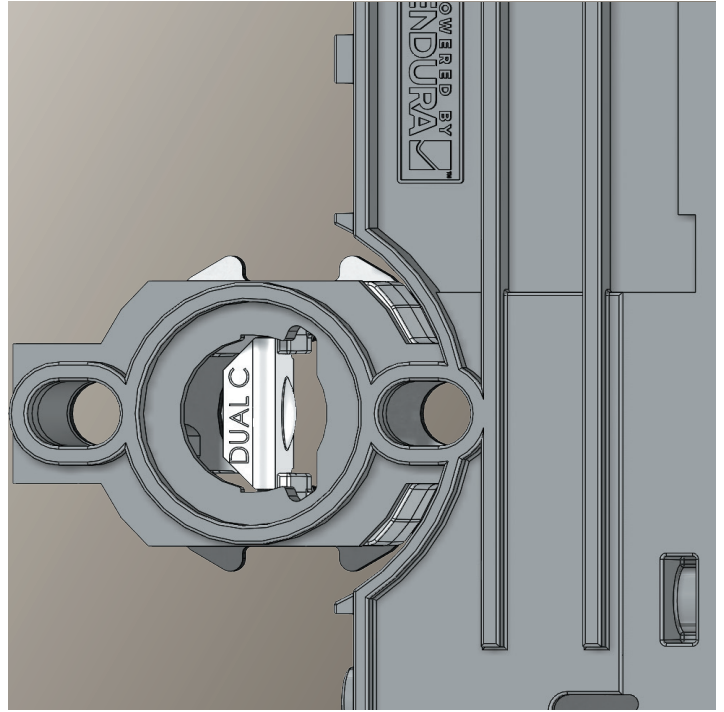
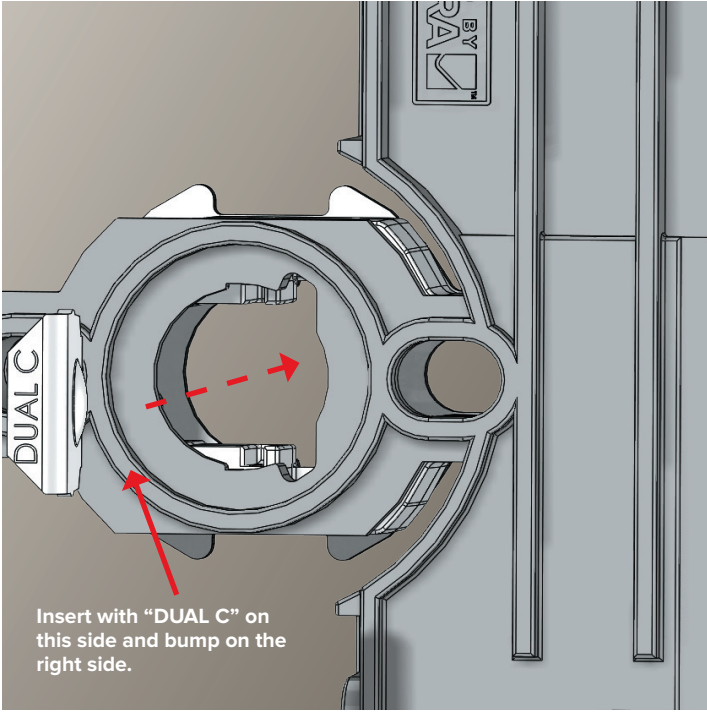


Align tabs on adapter with inner slots in drive opening.



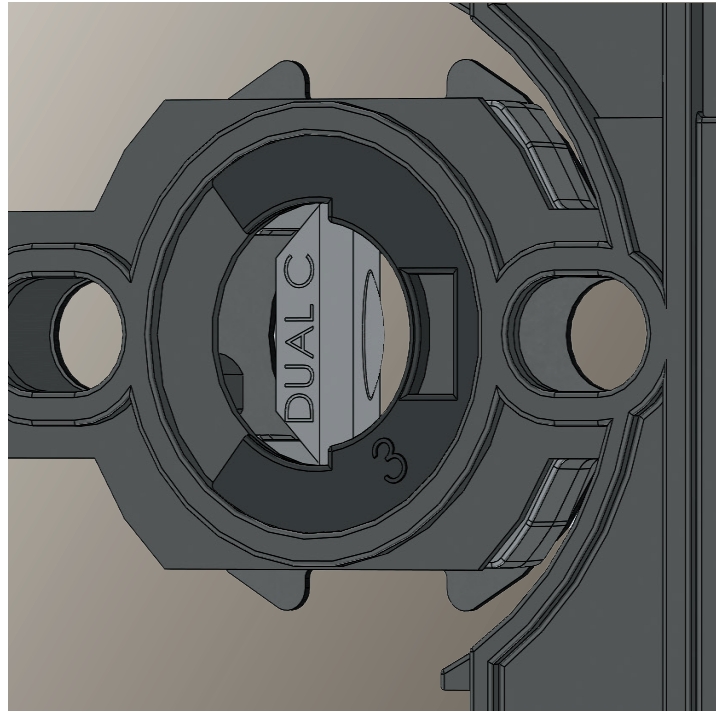
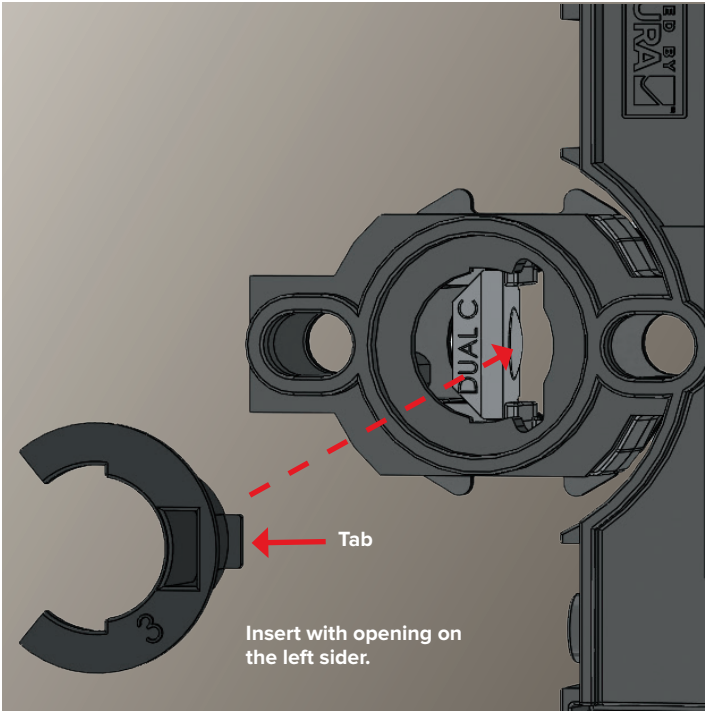


# Dual C + Guide Adapter Assembly

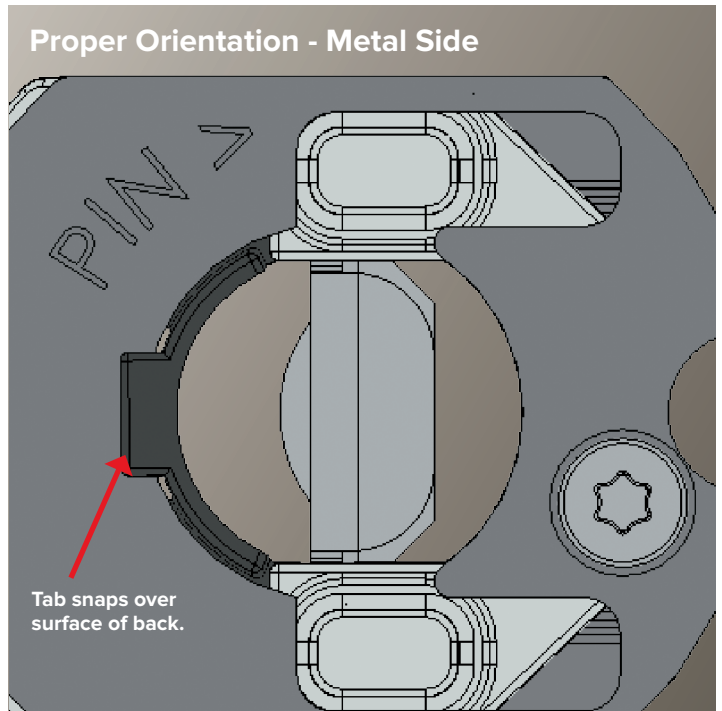
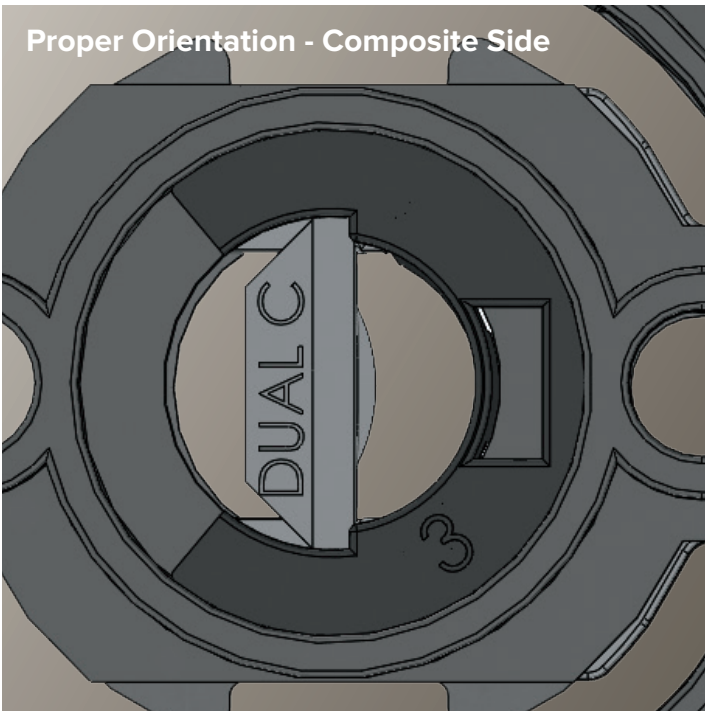




## Dual C + Guide Adapter Assembly (CTD.)



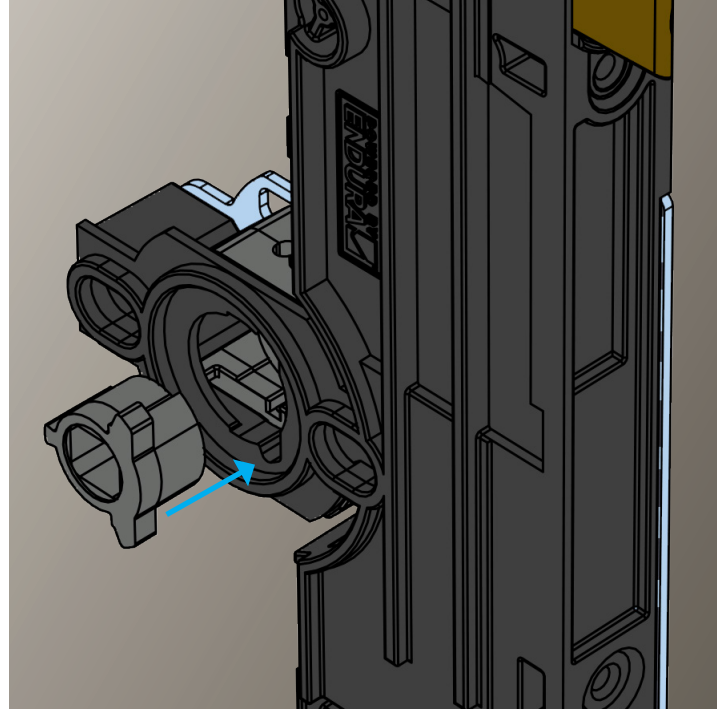
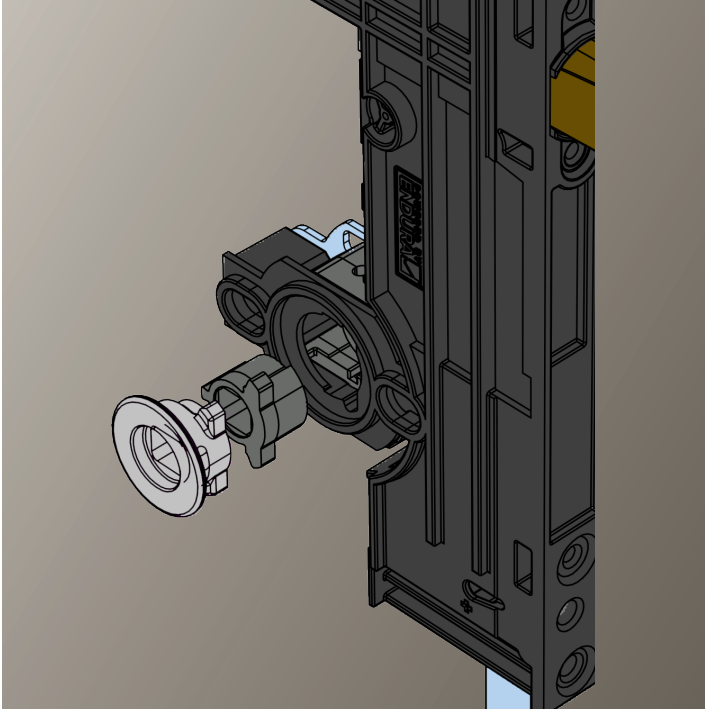
Align tabs on adapter with inner slots in drive opening.



## Split-Square Adapter Assembly

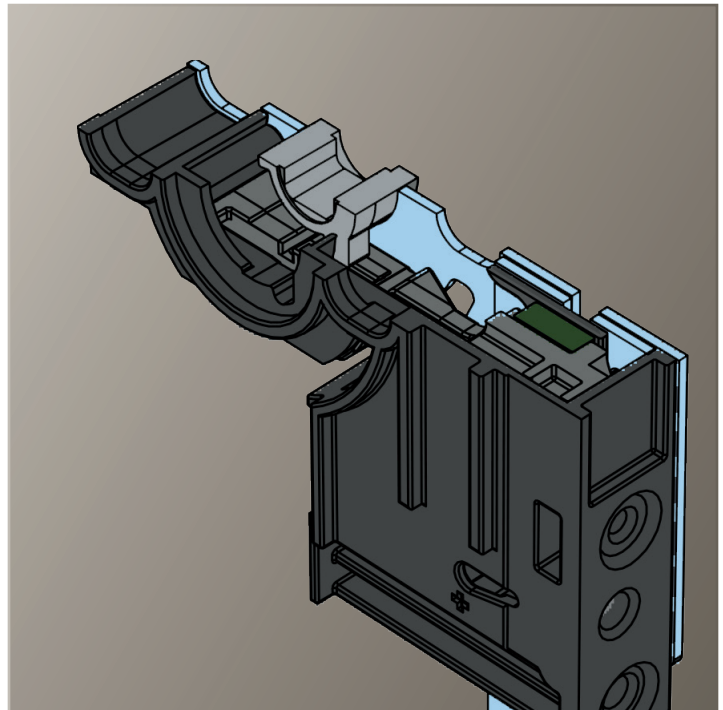
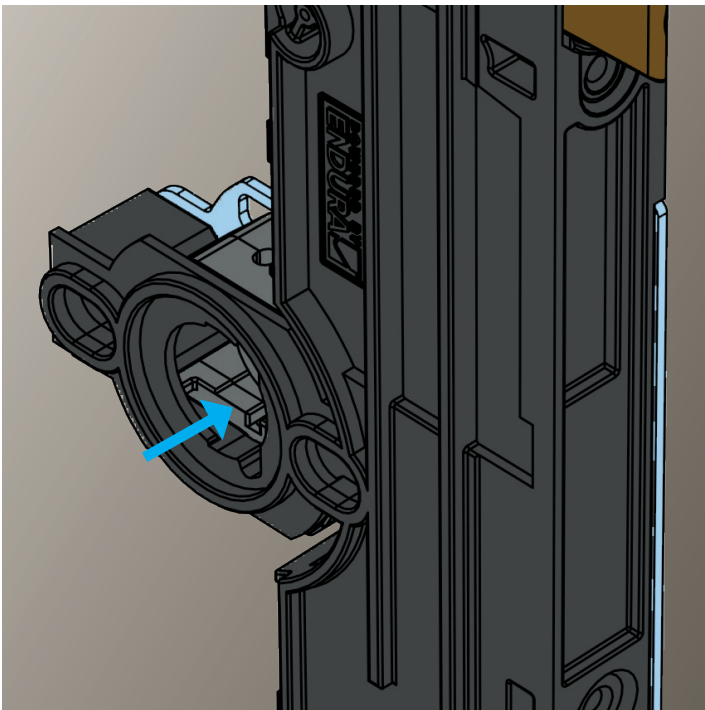
The Split-Square Adapter is a 2-piece design with the order of assembly shown below. Installation is completed on the composite side of the lock.

Begin by installing the smaller of the two pieces first, with the “ears” aligned with the cut outs in the lock case.



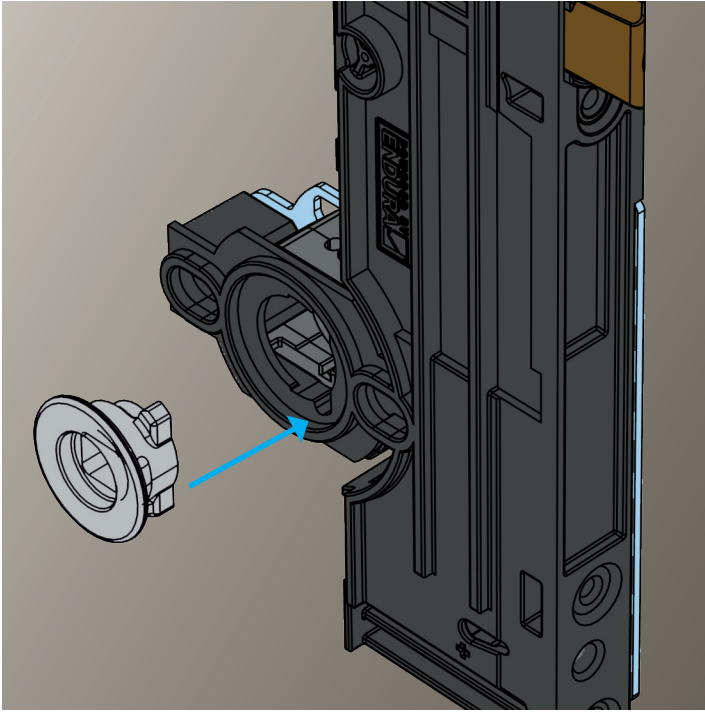
Push the first part of the adapter fully into the lock case. Final position is indicated in the section drawing at right.

This cutaway view shows the final position for the adapter, protruding from the metal side of the lock case.

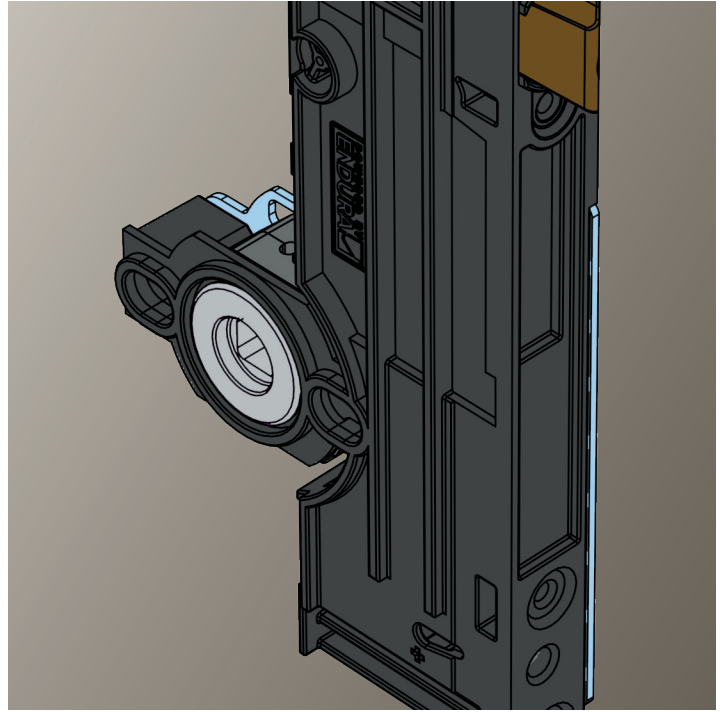


## Split-Square Adapter Assembly (CTD.)

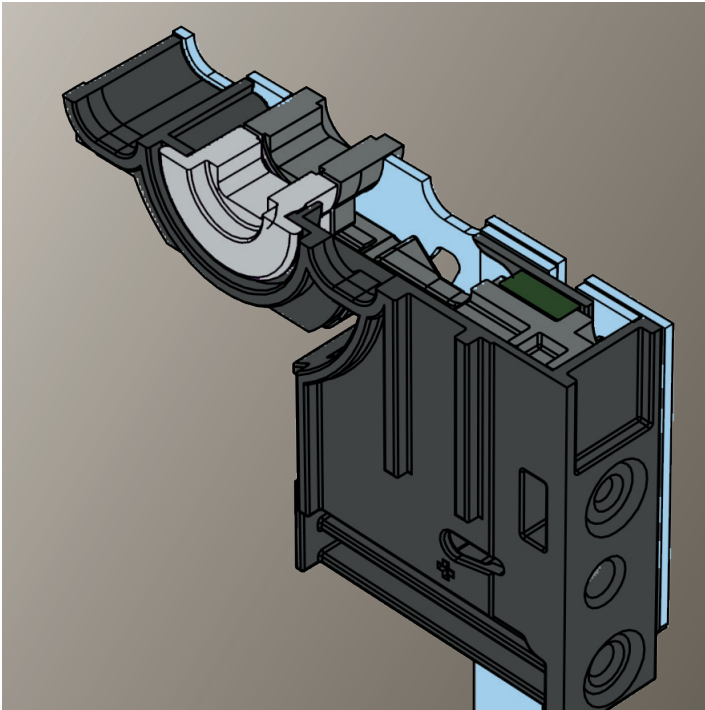
Install the larger of the two pieces with the “ears” aligned with the cut outs in the case.



Firmly press the adapter in place until a “click” is heard/felt. This ensures the adapter is fully installed.



The cutaway view below shows the final position of both adapters.

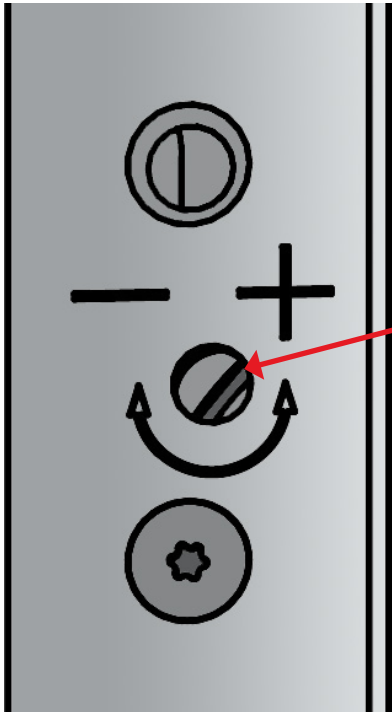


## Lockset Assembly (CTD.)

### Step 4

Assemble exterior and interior handle set to door with screws supplied by handle set manufacturer.

### Step 5



Use a flat head screwdriver to turn adjustment screw as needed to reduce force or remove thumb paddle sag.

With some thumbpress handle sets it may be necessary to adjust the lock internal spring mechanism to reduce the force needed to depress the thumbpress paddle, or to remove sag in the paddle.