

# Z-Series All Aluminum Sills

## Product Summary

**Make Performance Standard**

Release Date - January 2010

Endura's new and improved Z-Series All Aluminum (ZAA) sills are here. With the variety of new options and improved performance, you can find the Z-All Aluminum sill that is right for your market.

The new Z-All Aluminum FN sills utilize the strength of our All Aluminum platform with an injection molded substrate, built on the FN platform providing proven performance and cutability, which equals greater value. (See FN release for specific details on cutability) With a reconfigured Z-All Aluminum cap design - now this cap can be interchanged with any other sill caps in the Z-series Family of sills. The cap redesign incorporates new hardware which has enhanced cap plug retention - which can also be easily removed and reinstalled. The new cap fully encloses the hardware for zero exposure to the elements, allowing for complete modularity and flexibility along the Z Series line. Hinged Patio and Continuous Sidelite FN sills contain full substrate blocks for additional support and attachment points required for mulled applications. The expanded product offering for this sill includes widths of 4-9/16" and 3-11/16" in mill and bronze. Also included is a new and unique Tile Back offering available in 3-11/16" and 4-9/16" widths.

### Key Features:

- Z Series design with same modular FN platform
- Narrow cap with encapsulated adjusting assembly with seal
- Aluminum nosing matches cap
- Full, 3-1/2" wide substrate with intermittent support legs
- Accommodates Single Entry, French and Double Door Patio, and Continuous Sidelite Entry doors
- Tile back nosing available
- High dam design
- Proven Z Series performance
- Patented sill cover securely stays in place while in the field, with simple disassembly. New Tile Back version available in 3-11/16" width.

### Benefits:

- Composite substrate will not rot or warp
- Full substrate provides 3-1/2" wide caulking surface
- Support legs give additional structural integrity
- Provides superior performance under extremely high temperatures
- Cap and nosing are interchangeable with all composite versions, giving you more choices in finishes and colors
- 5 degree slope fits with standard jamb tenons

### Product Availability:

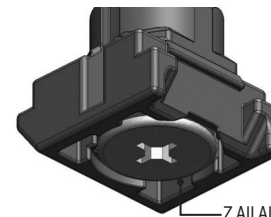
Immediately

### Packaging:

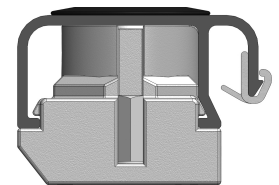
- 10 per box; carton pack
- 150 per box; bulk pack for short sills
- 60 per box; bulk pack for long sills
- 40 per box; bulk pack for mull pack sills with sidelite seats



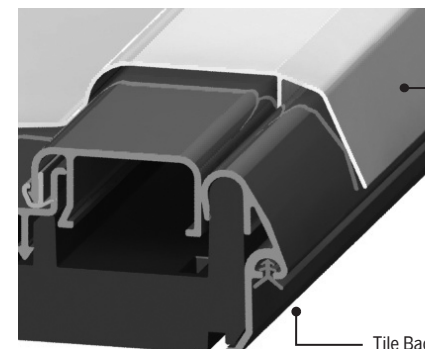
U.S. Patents: 5,426,894; 5,588,266; 5,611,173; 6,789,358; 7,350,336; D354,572; and other patents pending



Z All Aluminum new hardware



Z-All Aluminum new cap design



Tile Back sill cover available in 3-11/16" width.

Tile Back Nosing option