

Installation Instructions

SureSill Standard Sloped Sill Pan™ (Applies to all models except

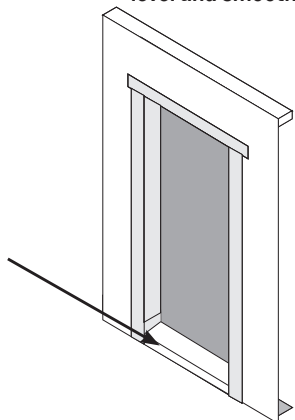
800.334.2006

8817 West Market Street
Colfax, NC 27235



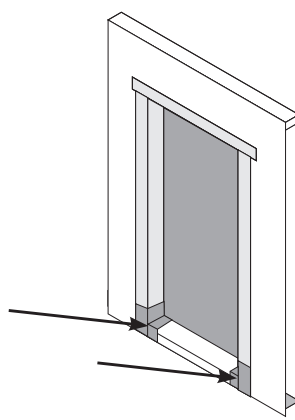
1 Prepare Rough Opening

- Ensure the rough opening at the subfloor is:
 - free of debris
 - level and smooth



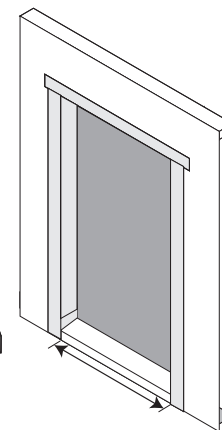
2 Flash Rough Opening

- Flash the rough opening according to local building codes or practices

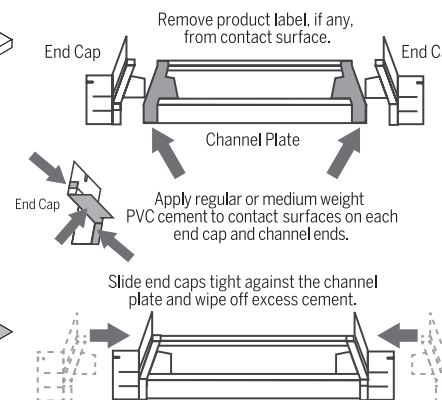


3a Size and Assemble SureSill™ - Openings up to 6/0 wide – This step requires one (1) channel plate

- Measure width of rough opening along the subfloor
- Cut the channel plate to 1/4" less than the rough opening width

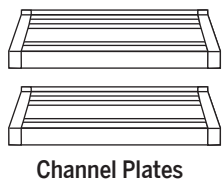


- Dry fit end caps, then place assembly in rough opening to verify length
- Remove end caps

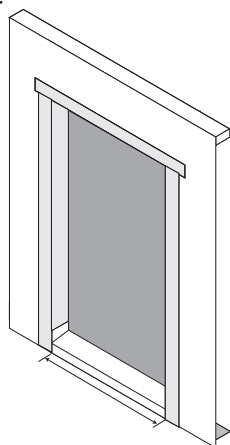


3b Size and Assemble SureSill™ - Openings over 6/0 wide – This step requires two (2) channel plates

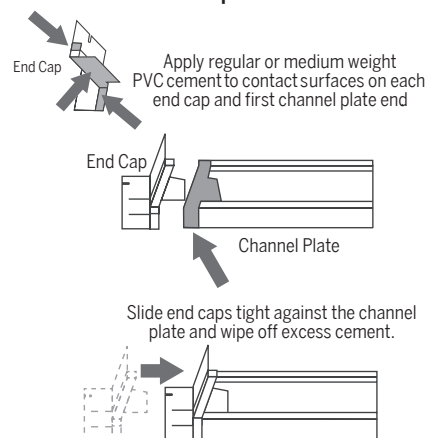
- Measure width of rough opening along the subfloor
- Cut each channel plate to 1/8" less than half of the rough opening width



- Ensure cut ends are free of burrs



- Attach left end cap



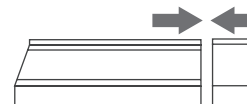
- Repeat steps for right end cap and second channel plate

- Dry fit the rigid extension coupling then place assembly in rough opening to verify length

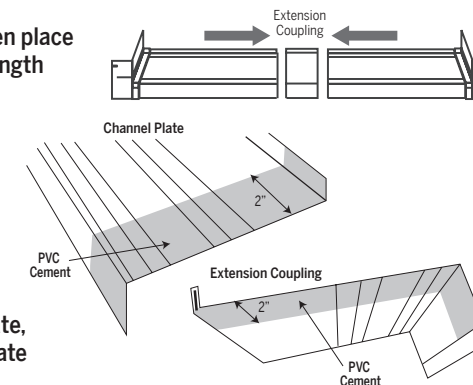
- Apply regular or medium weight PVC cement to the top surface of the channel plate and the bottom surface of the extension coupling

- Apply over a 2" wide area

- Join extension coupling to channel plate, ensuring all slots and tabs properly mate



- Repeat process for other channel plate – ensure channel plate ends connect each other



Installation Instructions

SureSill Standard Sloped Sill Pan™ (Applies to all models except

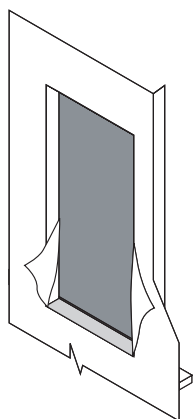
800.334.2006

8817 West Market Street
Colfax, NC 27235



4 Lift House Wrap

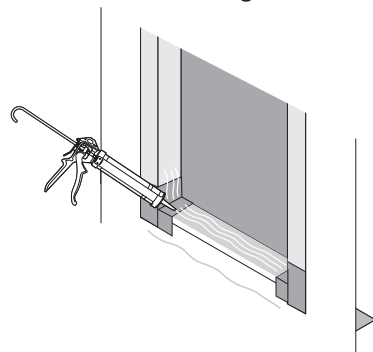
- For openings with house wrap lift wrap at each bottom corner to allow end caps to contact stud faces



5 Caulk Rough Opening

Apply 1/2" wide beads of caulking as follows:

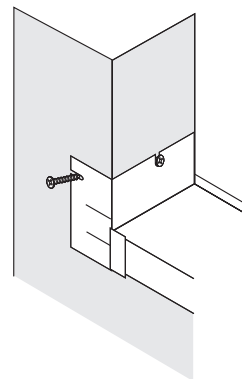
- 3 beads along bottom and 3" up each stud
- 1 bead across sheathing 1" below subfloor



* Recommended sealant types –
Polyurethane, Polymer-Based or
100% Silicone

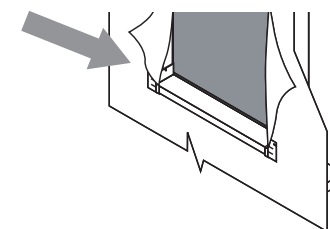
6 Secure SureSill™

- Place sill pan into rough opening
- Seat tightly to subfloor and exterior sheathing
- Secure with fasteners at slots in end caps



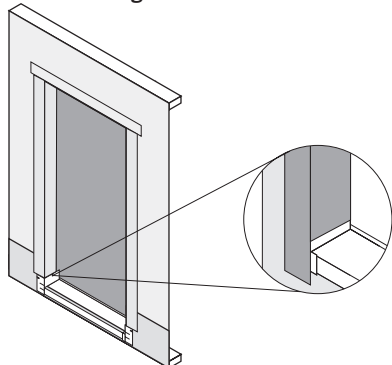
7 Replace House Wrap

- Return house wrap at each bottom corner to original position
- Ensure wrap overlaps end cap top edges
- Secure wrap in place



8 Openings Without House Wrap

- Apply self-adhering flashing along length of each stud over exterior corner
- Ensure flashing overlaps end cap top edges
- Apply flashing at header, overlapping stud flashing



9 High Wind Area Sealing

On the interior side of the sill pan at each stud
(fill in wide gaps with backer rod first)

- a) Caulk 6" up from bottom corner
- b) Caulk back edge of end cap
- c) Caulk along back edge of pan and sill

