

Assembly Instructions for **FORCE** **F5** FIVE Door Systems

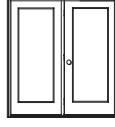
These instructions apply to the following Force 5® Certified Systems:



Single Doors



Single & Double
Continuous Sidelite Units



French &
Patio Units

*Required components listed on reverse side.

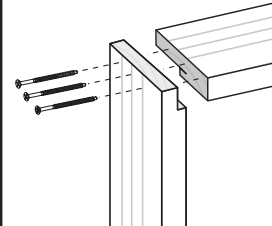
Notes:

- 1) This instruction applies to both inswing & outswing doors, except where noted inswing is shown.
- 2) For caulking requirements, Endura recommends a polyurethane, polymer-based or 100% silicone sealant.

1 Frame/Mull Assembly - Header

Jamb/Header

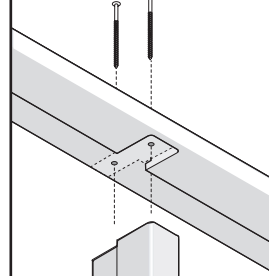
3 fasteners



Use #8 x 1-5/8" or longer screws.
Optional fastener type: 16 ga,
7/16" x 2" crown staple

Sidelite/Patio Only Mullion/Header

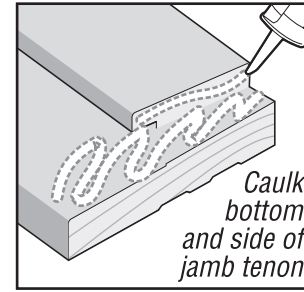
2 fasteners



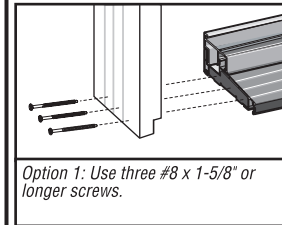
Use #8 x 3" screws

Note: 3 fasteners are required in mullion for high wind zone applications

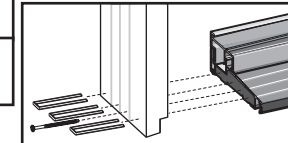
2 Frame Assembly - Sill



Caulk bottom and side of jamb tenon

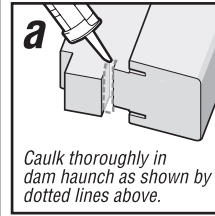


Option 1: Use three #8 x 1-5/8" or longer screws.

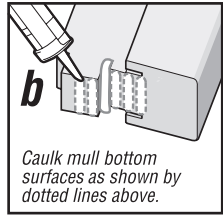


Option 2: Use one #8 x 1-5/8" or longer screws and three 16 ga., 7/16" x 2" crown staple.

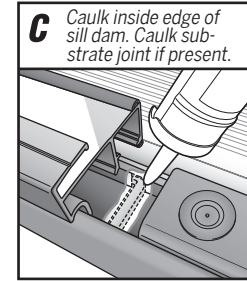
3 Mull Assembly - Sill



a Caulk thoroughly in dam haunch as shown by dotted lines above.

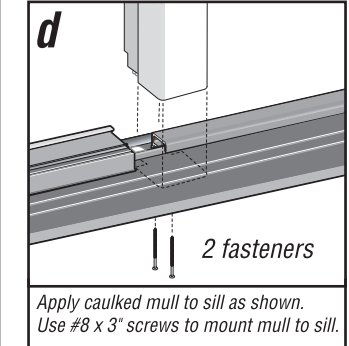


b Caulk mull bottom surfaces as shown by dotted lines above.



c Caulk inside edge of sill dam. Caulk substrate joint if present.

Sidelite/Patio Only



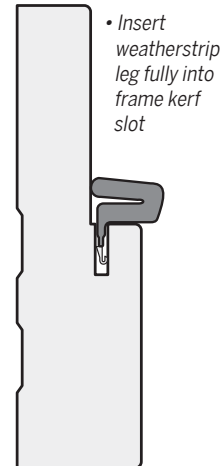
d Apply caulked mull to sill as shown. Use #8 x 3" screws to mount mull to sill.

Note: FrameSaver mullions can be pre-drilled for easier screw attachment.

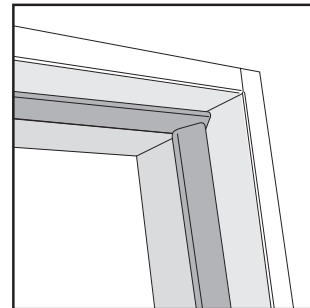
Note: 3 fasteners are required in mullion for high wind zone applications.

If a Mull Boot is used, follow separately issued Mull Boot Instructions.

4 Weatherstrip Insertion



• Insert weatherstrip leg fully into frame kerf slot

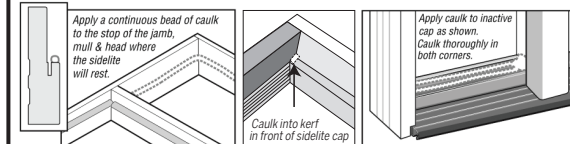


• Ends should lightly touch frame face or mating weatherstrip

Note:

- Do not use weatherstrip that is too short or too long
- Do not fold or wrinkle weatherstrip

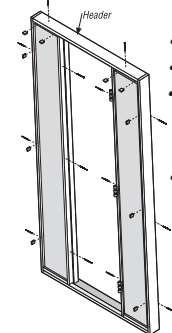
5 Fixed Panel Assembly



Apply a continuous bead of caulk to the stop of the jamb, mull & head where the sidelite will rest.

Caulk into kerf in front of sidelite cap

Apply caulk to inactive cap as shown. Caulk thoroughly in both corners.



- Place panel into frame opening
- Set tight against sidelite seat & mullion
- Apply 1/8" spacers
 - Two at the header
 - One at the jamb at each hinge position
- Secure panel to frame with #8 x 2-1/2" screws
 - First through the mullion at each hinge position
 - Next through the jamb at each hinge position
 - Finally at the header

Note:

- For high wind zone applications, apply #8 x 3" screw through the sill into the panel
- 1 at the center of the sidelite panels
 - 2 evenly spaced for full sized panels



PERFORMANCE STANDARD

Endura Products, Inc.

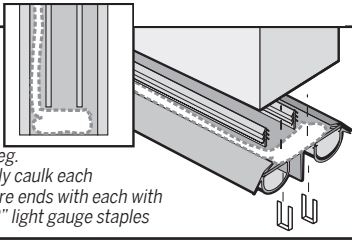
8817 West Market St. • Colfax, NC 27235 • (800) 334-2006

www.enduraproducts.com

6a Attach Door Bottom

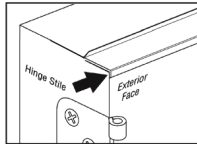
Door Bottoms (Inswing Only)

Apply caulking along the bottom exterior side kerf leg. Thoroughly caulk each end. Secure ends with each with 1/2" x 1/2" light gauge staples



6b Attach Door Top

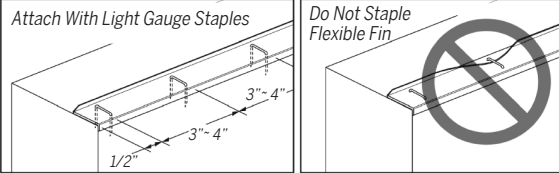
Door Tops (Outswing Only)



Align seal with hinge stile face

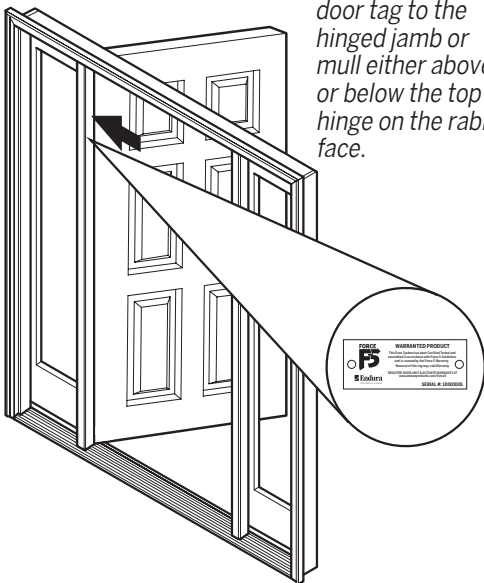
Attach With Light Gauge Staples

Do Not Staple Flexible Fin



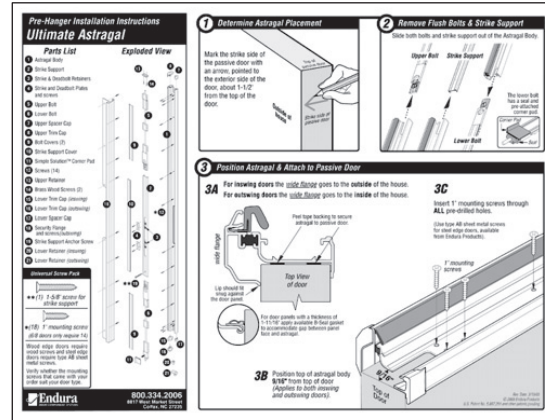
9 Attach Force 5 Door Tag

Attach Force 5 door tag to the hinged jamb or mull either above or below the top hinge on the rabbet face.



7 Astragal Attachment (French Units Only)

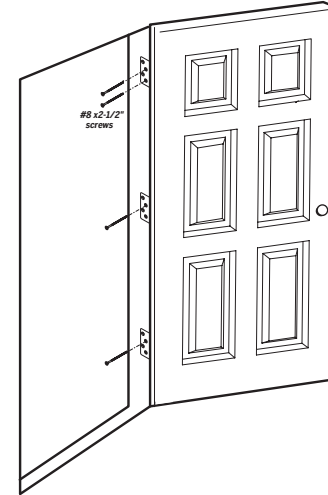
Attach Endura's Ultimate Astragal according to separately issued "Pre-Hanger Installation Instructions".



8 Hinged Panel Assembly

Attach Hinges

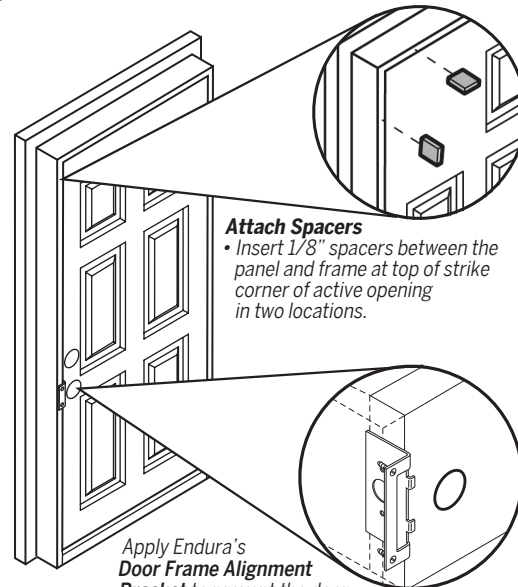
- Secure to panel with #10 x 1" screws
- Secure to jamb or mull with #10 x 3/4" screws
- For hinges on mull use #8 x 2-1/2" screws at:
 - Top hinge on two holes closest to the weatherstrip
 - Other hinges on top hole closest to the weatherstrip



10 Apply Door Frame Alignment Bracket (Optional)

Attach Spacers
• Insert 1/8" spacers between the panel and frame at top of strike corner of active opening in two locations.

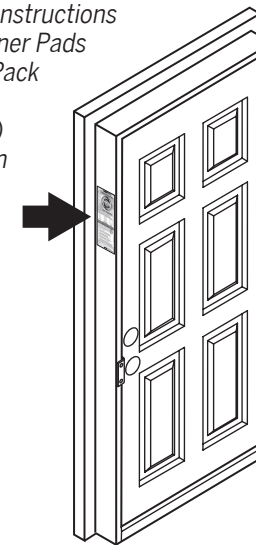
Apply Endura's Door Frame Alignment Bracket to prevent the door frame from racking and breaking the caulked seals during shipping and installation.



11 Attach Field Hardware and Instructions

Attach:

- Force 5 Installation Instructions
- Simple Solution Corner Pads
- Astragal Hardware Pack and Trim Strip* (*French Units Only)
- Force 5 Door System Owner's Manual and Warranty Guide



Required Components

Required components for a Force 5 door unit include the following:

For single doors:

- Composite Z-Series sill
- Hinge jamb
- Strike jamb
- Header
- Force 5 Weatherstrip
- Simple Solution corner pads (inswing only)
- Force 5 tested active door panel
- Hinges
- A door frame alignment bracket
- Force 5 door bottom (inswing units only)
- Force 5 door top (outswing units only)

For sidelite and patio doors, in addition to components mentioned for single doors:

- One-piece mullion(s)
- Continuous header
- Continuous sill
- Fixed or sidelite panel(s)
- Force 5 tested composite sidelite seat(s)

For French doors, in addition to components mentioned for single doors:

- Ultimate Astragal
- Passive panel
- Header plate – standard or Hurricane
- Sill cup – inswing or outswing
- Sill plate (outswing hurricane only)



Force 5 Door Systems are manufactured by:

Endura Products, Inc.
8817 West Market St. • Colfax, NC 27235 • (800) 334-2006
www.enduraproducts.com

Force 5 and Simple Solution are registered trademarks of Endura Products, Inc. All rights reserved.

Deviation from these instructions will void Force 5 warranty.