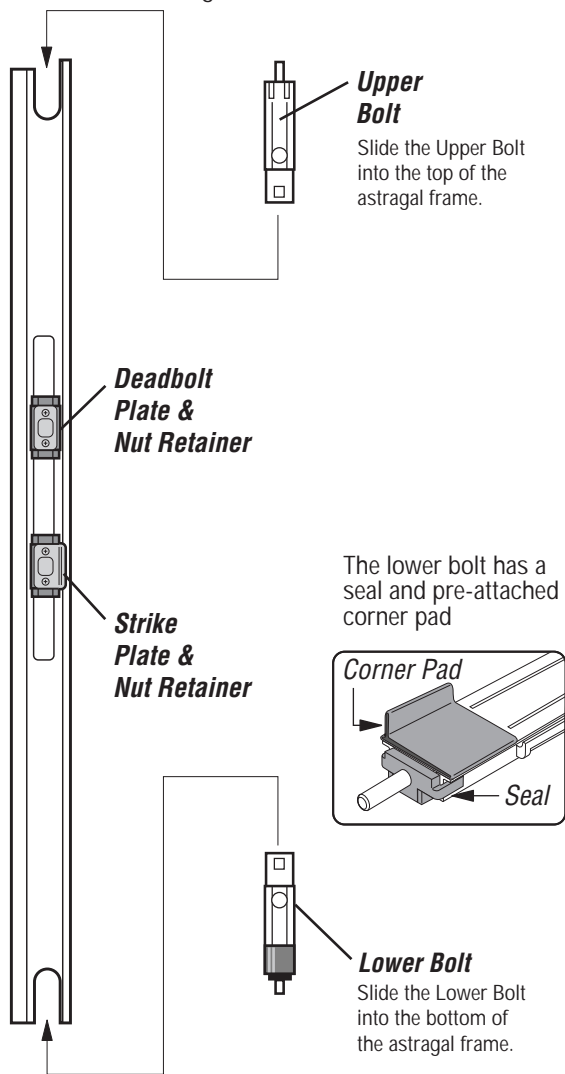


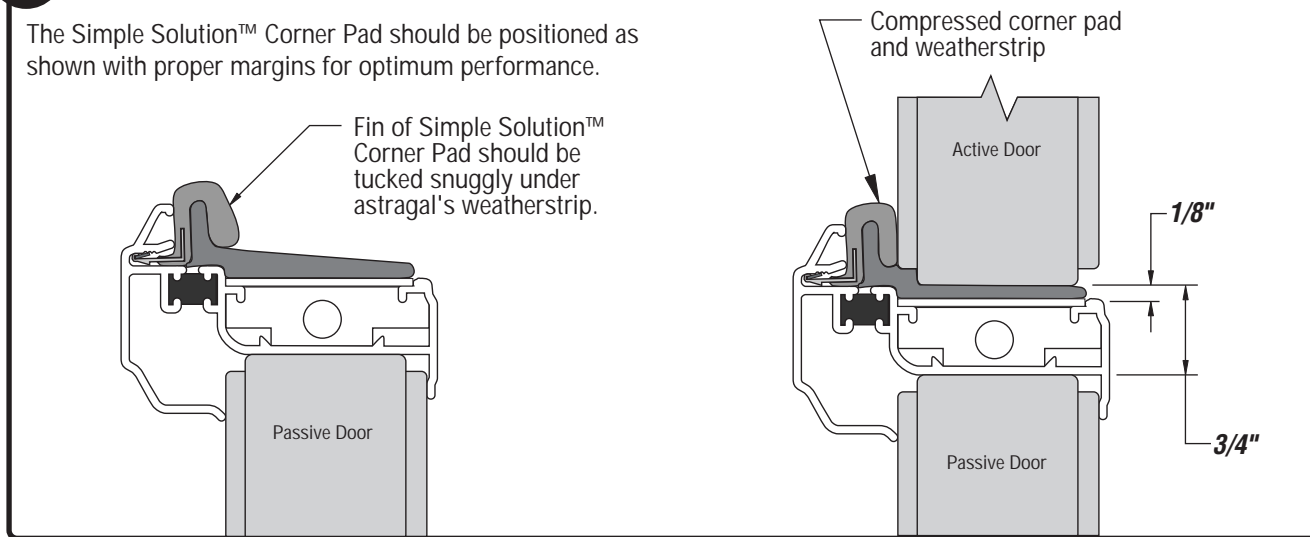
4 Reinsert Flush Bolts

Once the astragal body is secured to the passive door, slide the Upper Bolt and Lower Bolt back into the astragal.

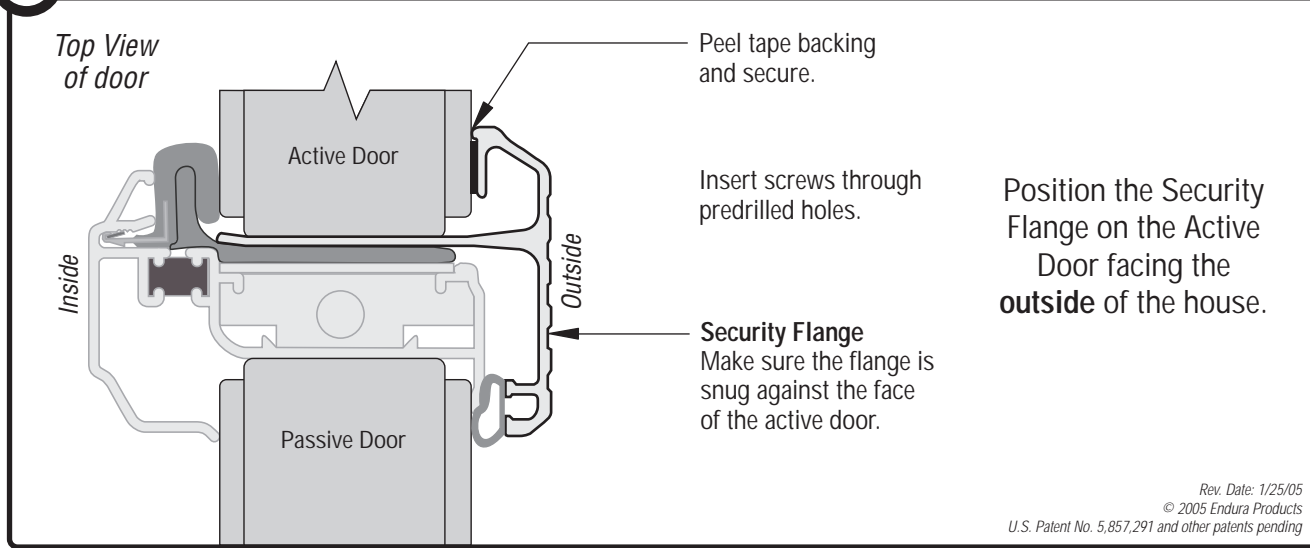


5 Proper Corner Pad Positioning and Panel Margins

The Simple Solution™ Corner Pad should be positioned as shown with proper margins for optimum performance.



6 Optional Security Flange (Outswing only)



Rev. Date: 1/25/05
 © 2005 Endura Products
 U.S. Patent No. 5,857,291 and other patents pending

IMPORTANT: Prehanger, attach Astragal Component Pack to face of inactive door.