

Pre-Hanger Installation Instructions

Multi-Point Lock Compatible Astragal

Endura
DOOR COMPONENT SYSTEMS
800.334.2006
8817 West Market Street
Colfax, NC 27235

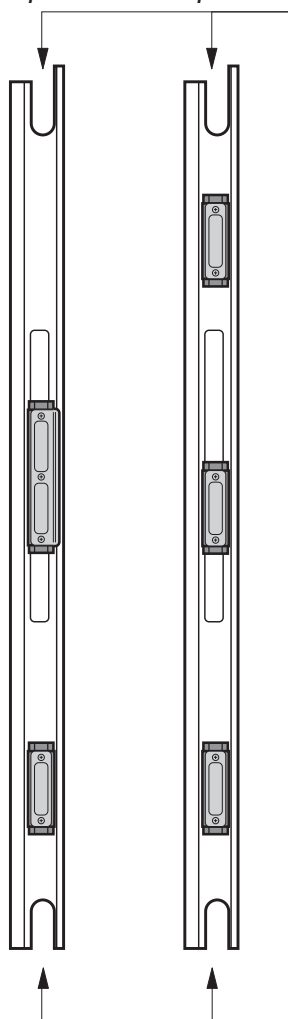
1 First

Follow steps 1, 2, 3 of Endura's **Ultimate Astragal Lite Pre-Hanger Installation Instructions**.

2 Reinsert Flush Bolts

HOPPE
Multi-Point Lock
Components

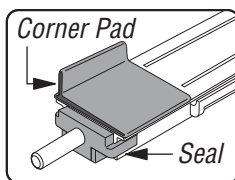
W & F
Multi-Point Lock
Components



Upper Bolt

Slide the Upper Bolt into the top of the astragal frame.

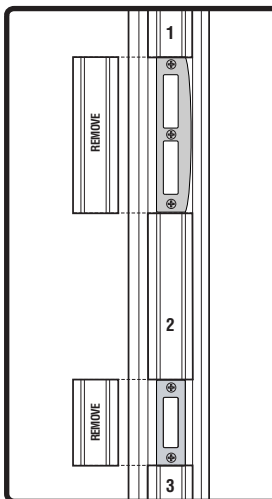
The lower bolt has a seal and pre-attached corner pad



Lower Bolt

Slide the Lower Bolt into the bottom of the astragal frame.

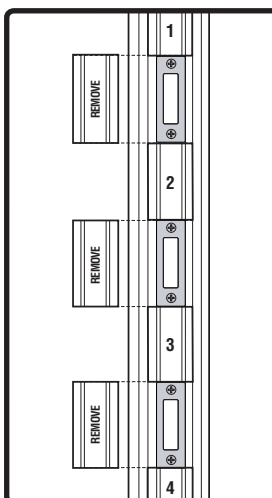
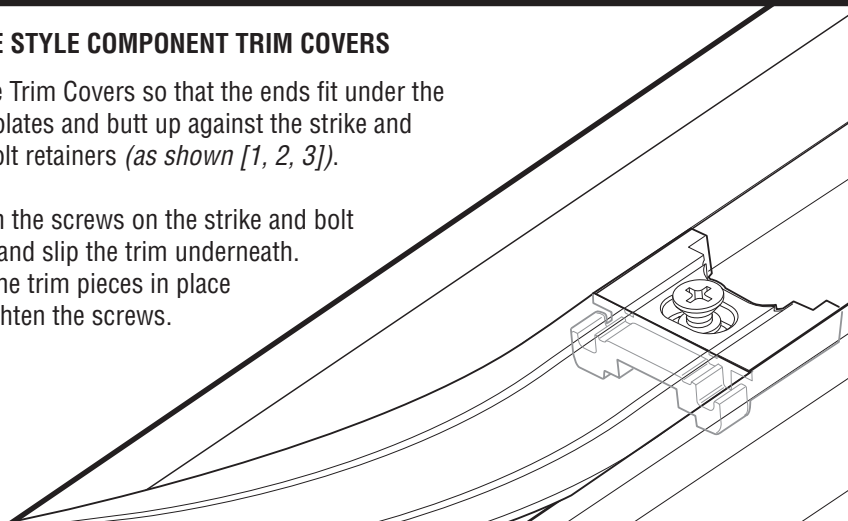
3 Install Trim Covers



HOPPE STYLE COMPONENT TRIM COVERS

Cut the Trim Covers so that the ends fit under the strike plates and butt up against the strike and deadbolt retainers (as shown [1, 2, 3]).

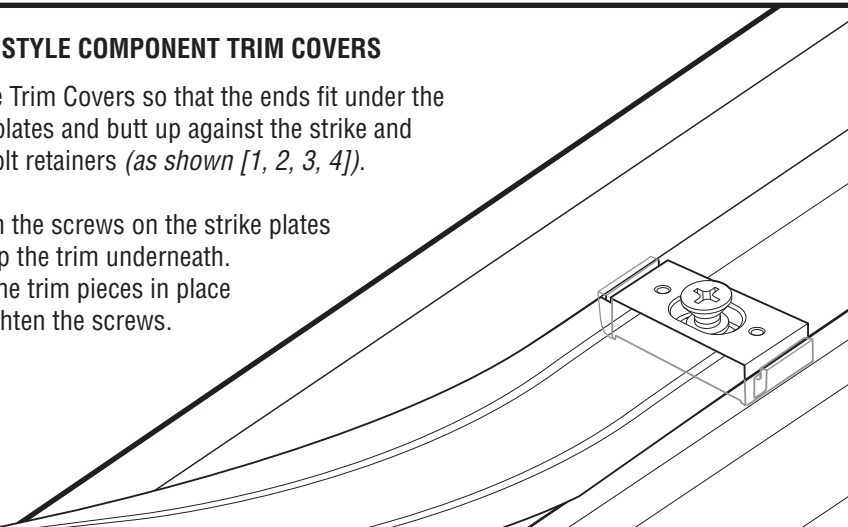
Loosen the screws on the strike and bolt plates and slip the trim underneath. Snap the trim pieces in place and tighten the screws.



W & F STYLE COMPONENT TRIM COVERS

Cut the Trim Covers so that the ends fit under the strike plates and butt up against the strike and deadbolt retainers (as shown [1, 2, 3, 4]).

Loosen the screws on the strike plates and slip the trim underneath. Snap the trim pieces in place and tighten the screws.



4 Corner Pad, Panel Margins & Outswing Security Flange

Refer to steps 5 and 6 of Endura's **Ultimate Astragal Lite Pre-Hanger Installation Instructions**.

IMPORTANT: Prehanger, attach Astragal Component Pack to face of inactive door.