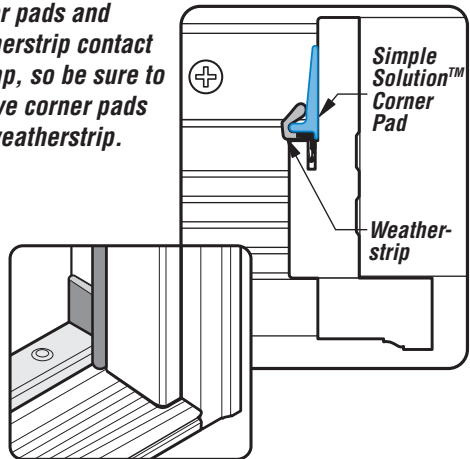
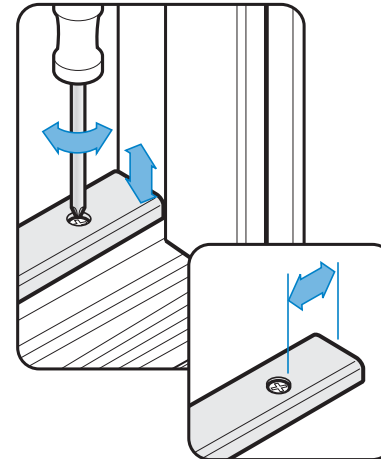


Adjustable Cap Replacement Instructions

- 1** Corner pads and weatherstrip contact the cap, so be sure to remove corner pads and weatherstrip.

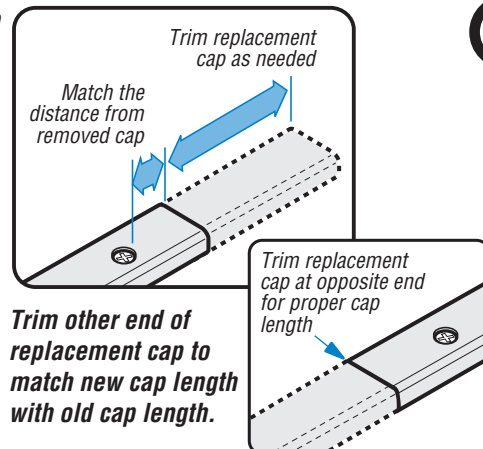


- 2** Completely unscrew adjustment screws and remove the sill cap.

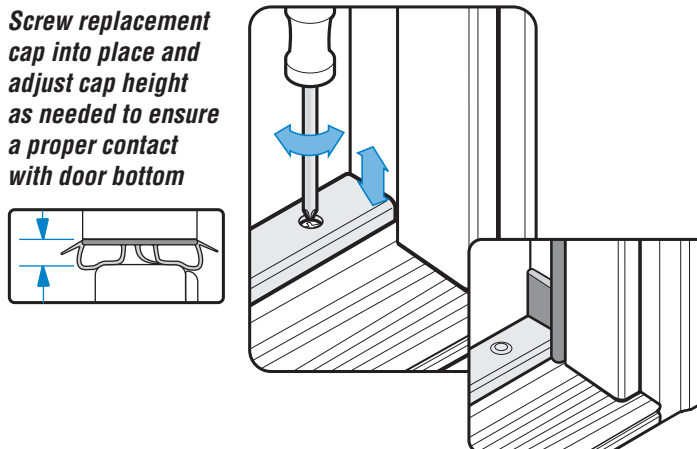


Measure distance from end screw position to end of removed cap.

- 3** Trim replacement cap as needed to match distance from end screw position to end of removed cap. This will ensure that the screw positions match up for the length of the sill.



- 4** Screw replacement cap into place and adjust cap height as needed to ensure a proper contact with door bottom



Replace weatherstrip and corner pad.