

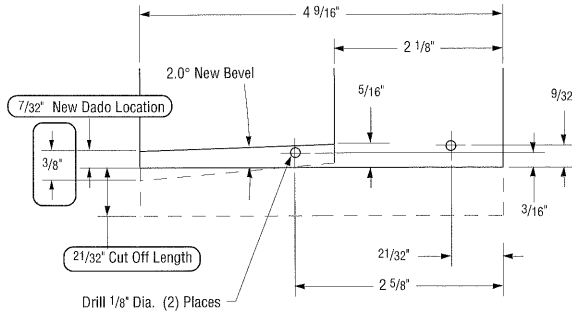
ADA Jamb Modifications

Inswing $4 \frac{9}{16}$ " Inswing $5 \frac{5}{8}$ "

ZHCI 4562T ZHCI 5622T

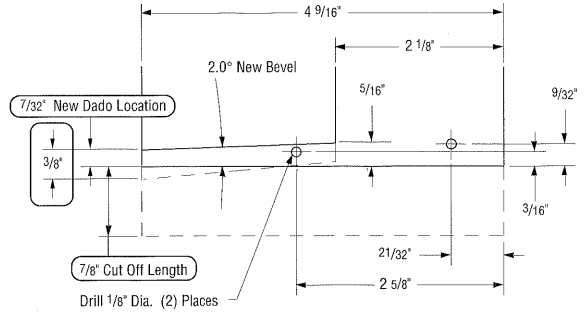
Low Dam Sill ADA Jamb Modification

Cut off bottom of jamb $2 \frac{1}{32}$ " higher
Cut new dado $\frac{3}{8}$ " higher
Drill $\frac{1}{8}$ " Dia. hole in 2 places



High Dam Sill ADA Jamb Modification

Cut off bottom of jamb $\frac{7}{8}$ " higher
Cut new dado $\frac{3}{8}$ " higher
Drill $\frac{1}{8}$ " Dia. hole in 2 places

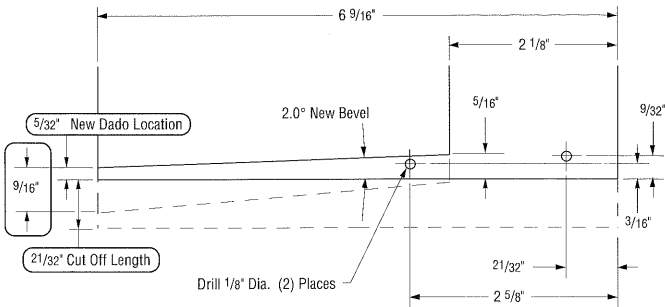


Inswing $6 \frac{9}{16}$ "

ZHCI 6562T

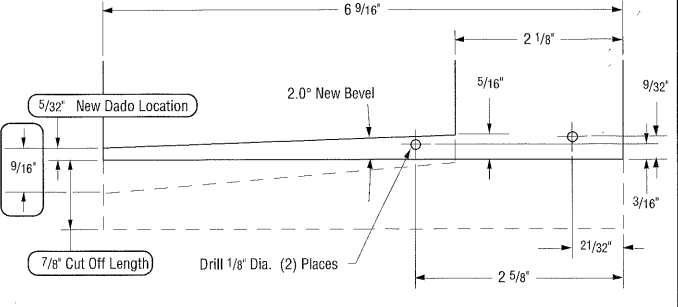
Low Dam Sill ADA Jamb Modification

Cut off bottom of jamb $2 \frac{1}{32}$ " higher
Cut new dado $\frac{9}{16}$ " higher
Drill $\frac{1}{8}$ " Dia. hole in 2 places



High Dam Sill ADA Jamb Modification

Cut off bottom of jamb $\frac{7}{8}$ " higher
Cut new dado $\frac{9}{16}$ " higher
Drill $\frac{1}{8}$ " Dia. hole in 2 places

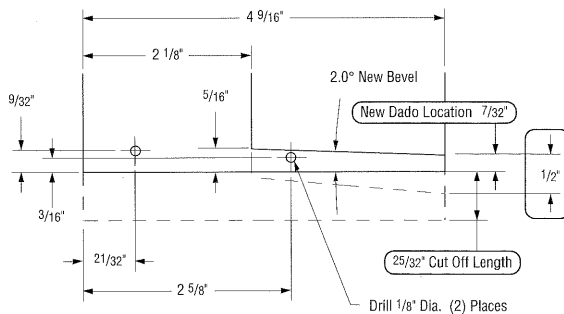


Outswing $5 \frac{5}{8}$ "

ZHCO 5622T

Low Dam Sill ADA Jamb Modification

Cut off bottom of jamb $2 \frac{5}{32}$ " higher
Cut new dado $\frac{3}{8}$ " higher
Drill $\frac{1}{8}$ " Dia. hole in 2 places



High Dam Sill ADA Jamb Modification

Cut off bottom of jamb 1 " higher
Cut new dado $\frac{1}{2}$ " higher
Drill $\frac{1}{8}$ " Dia. hole in 2 places

