

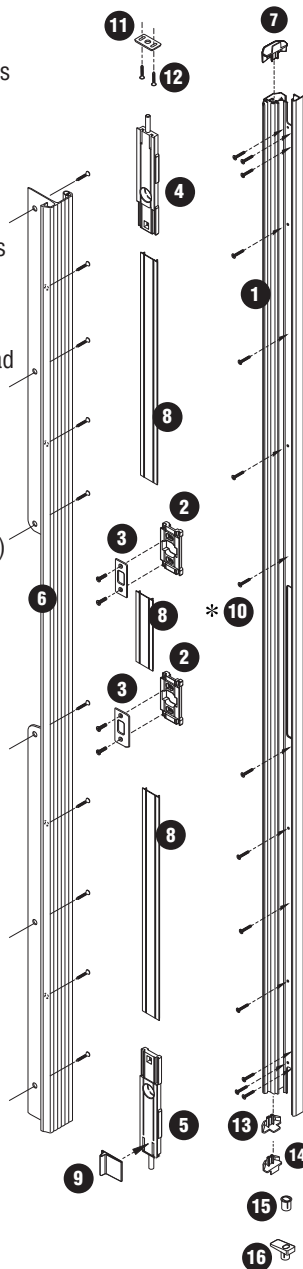
Pre-Hanger Installation Instructions

Ultimate Astragal Lite

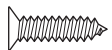
Parts List

- 1 Astragal Body
- 2 Strike & Deadbolt Retainers
- 3 Strike and Deadbolt Plates and screws
- 4 Upper Bolt
- 5 Lower Bolt
- 6 Security Flange and screws
- 7 Upper Trim Cap
- 8 Trim Covers
- 9 Simple Solution™ Corner Pad
- 10 Screws (14)
- 11 Upper Retainer
- 12 Brass Wood Screws (2)
- 13 Lower Trim Cap (inswing)
- 14 Lower Trim Cap (outswing)
- 15 Lower Retainer (inswing)
- 16 Lower Retainer (outswing)

Exploded View



Universal Screw Pack



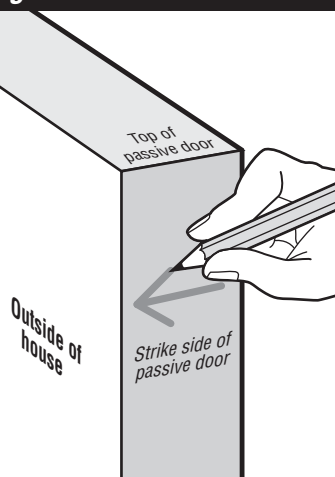
*(18) 1" mounting screw
(6/8 doors only require 14)

Wood edge doors require wood screws and steel edge doors require type AB sheet metal screws.

Verify whether the mounting screws that came with your order suit your door type.

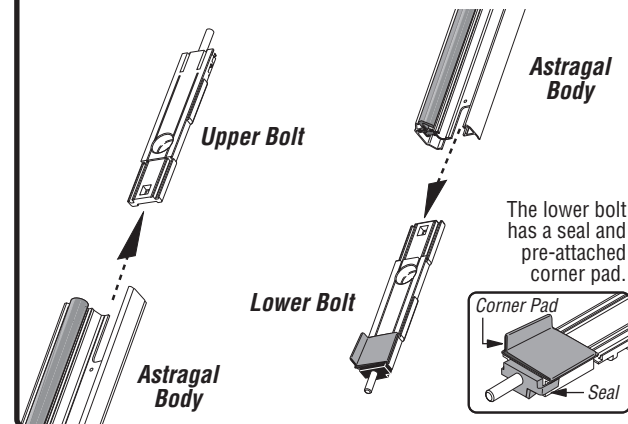
1 Determine Astragal Placement

Mark the strike side of the passive door with an arrow, pointed to the exterior side of the door, about 1-1/2" from the top of the door.



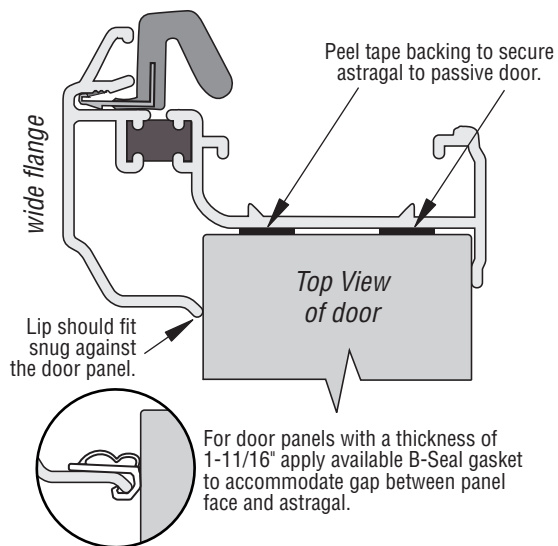
2 Remove Flush Bolts

Slide both bolts out of the Astragal Body.



3 Position Astragal & Attach to Passive Door

- 3A** For inswing doors the wide flange goes to the **outside** of the house.
For outswing doors the wide flange goes to the **inside** of the house.

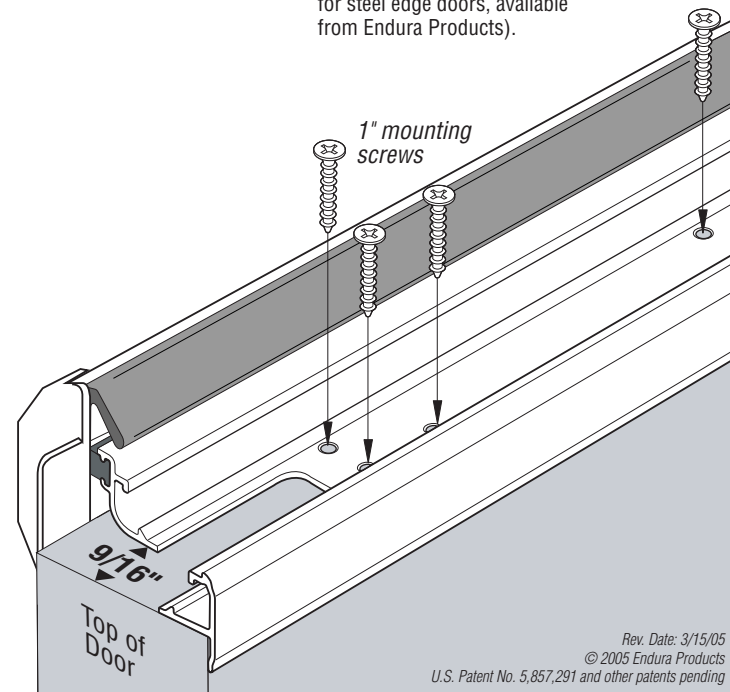


- 3B** Position top of astragal flush with top of door
(Applies to both inswing and outswing doors).

3C

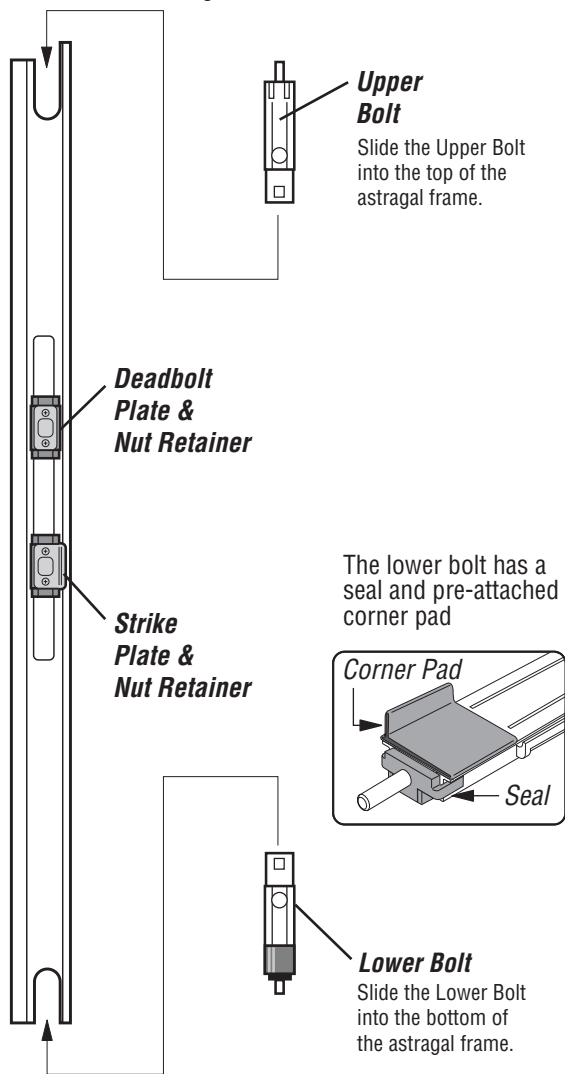
Insert 1" mounting screws through **ALL** pre-drilled holes.

(Use type AB sheet metal screws for steel edge doors, available from Endura Products).



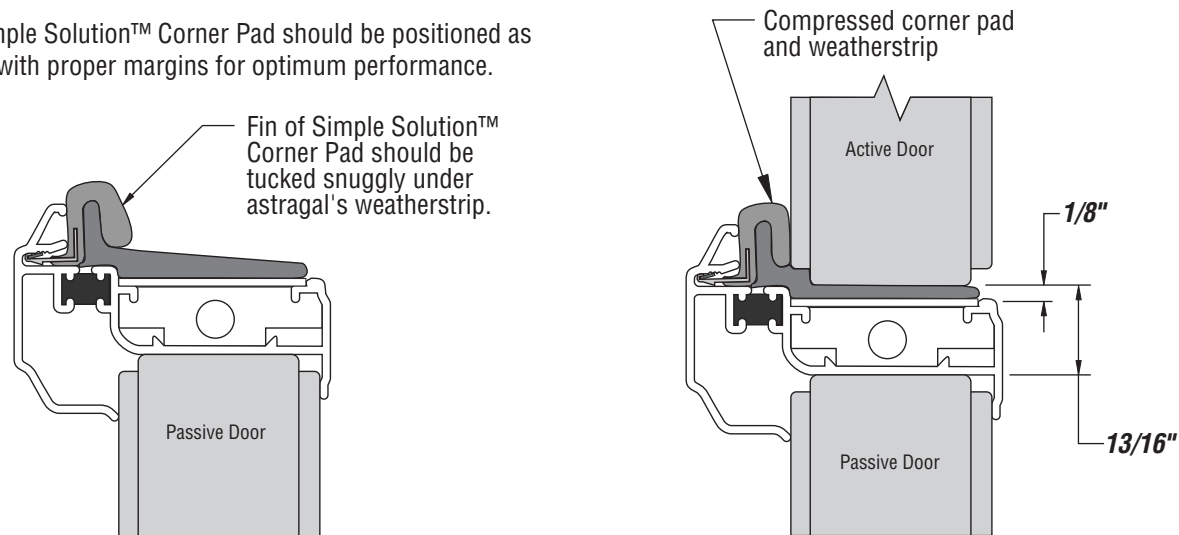
4 Reinsert Flush Bolts

Once the astragal body is secured to the passive door, slide the Upper Bolt and Lower Bolt back into the astragal.



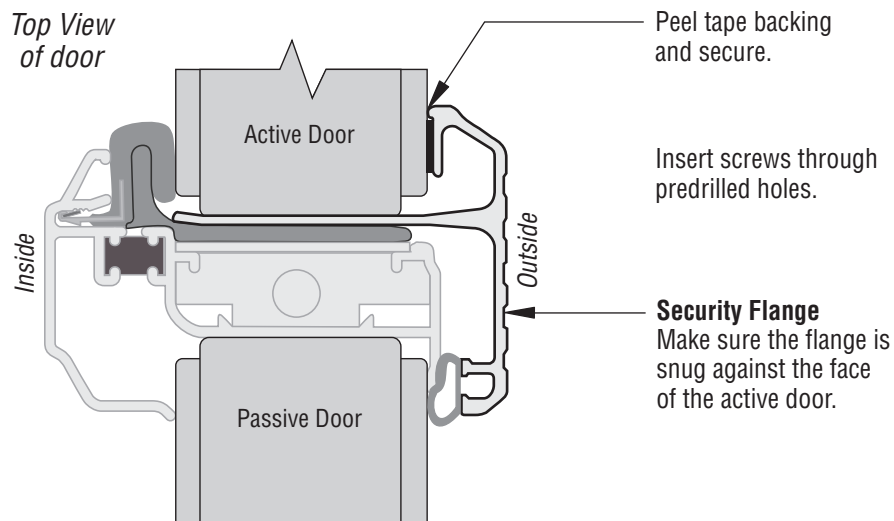
5 Proper Corner Pad Positioning and Panel Margins

The Simple Solution™ Corner Pad should be positioned as shown with proper margins for optimum performance.



6 Optional Security Flange (Outswing only)

Top View of door



Position the Security Flange on the Active Door facing the outside of the house.

IMPORTANT: Prehanger, attach Astragal Component Pack to face of inactive door.